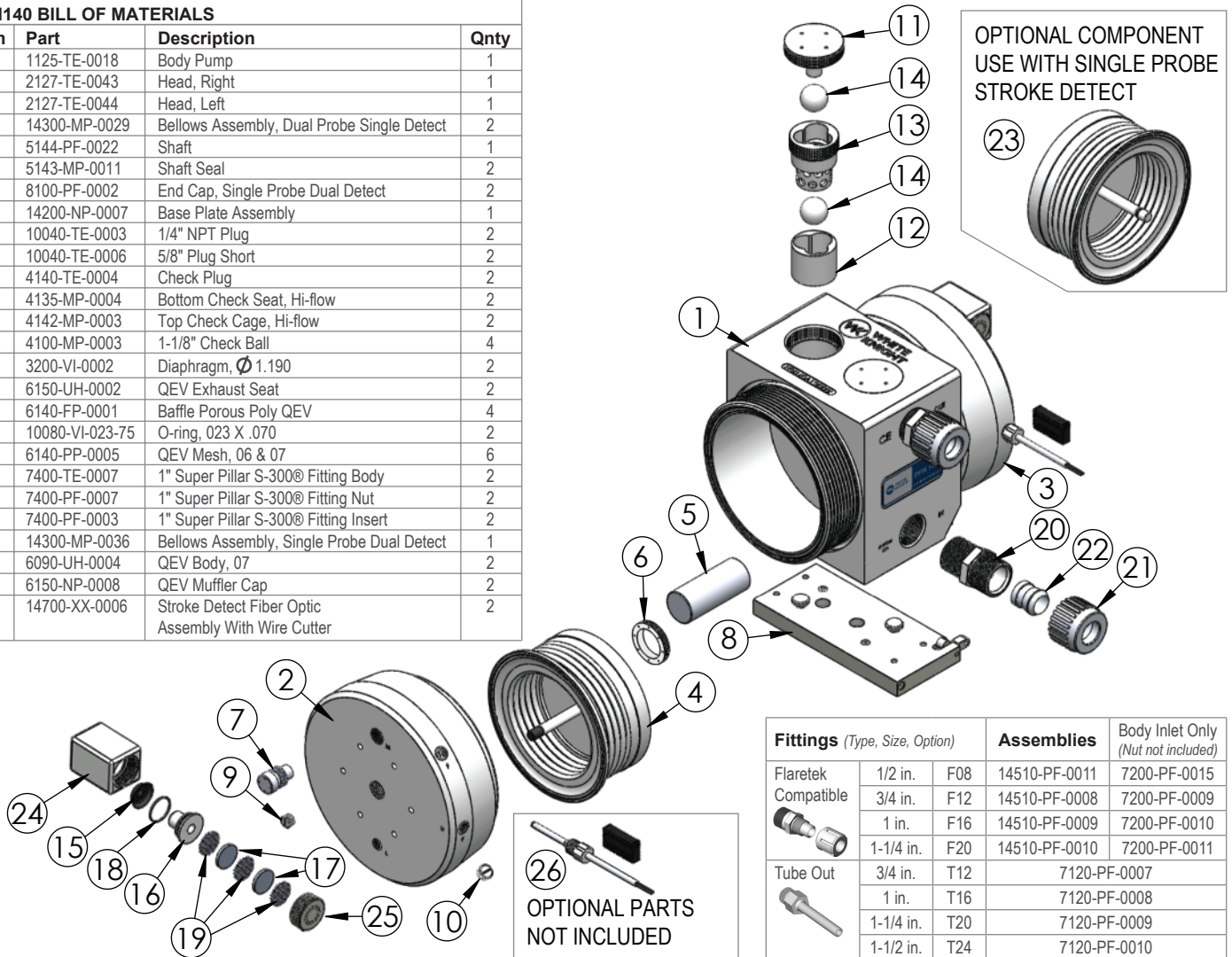


PFH140 Exploded View

PFH140 BILL OF MATERIALS			
Item	Part	Description	Qty
1	1125-TE-0018	Body Pump	1
2	2127-TE-0043	Head, Right	1
3	2127-TE-0044	Head, Left	1
4	14300-MP-0029	Bellows Assembly, Dual Probe Single Detect	2
5	5144-PF-0022	Shaft	1
6	5143-MP-0011	Shaft Seal	2
7	8100-PF-0002	End Cap, Single Probe Dual Detect	2
8	14200-NP-0007	Base Plate Assembly	1
9	10040-TE-0003	1/4" NPT Plug	2
10	10040-TE-0006	5/8" Plug Short	2
11	4140-TE-0004	Check Plug	2
12	4135-MP-0004	Bottom Check Seat, Hi-flow	2
13	4142-MP-0003	Top Check Cage, Hi-flow	2
14	4100-MP-0003	1-1/8" Check Ball	4
15	3200-VI-0002	Diaphragm, Ø 1.190	2
16	6150-UH-0002	QEV Exhaust Seat	2
17	6140-FP-0001	Baffle Porous Poly QEV	4
18	10080-VI-023-75	O-ring, 023 X .070	2
19	6140-PP-0005	QEV Mesh, 06 & 07	6
20	7400-TE-0007	1" Super Pillar S-300® Fitting Body	2
21	7400-PF-0007	1" Super Pillar S-300® Fitting Nut	2
22	7400-PF-0003	1" Super Pillar S-300® Fitting Insert	2
23	14300-MP-0036	Bellows Assembly, Single Probe Dual Detect	1
24	6090-UH-0004	QEV Body, 07	2
25	6150-NP-0008	QEV Muffler Cap	2
26	14700-XX-0006	Stroke Detect Fiber Optic Assembly With Wire Cutter	2



Leak Detect		
Part	Description	
14600-XX-0009	LF0	15 ft fiber optic cable with no amplifier
14600-XX-0010	LF1	15 ft fiber optic cable with D10 amplifier
14600-XX-0011	LF2	25 ft fiber optic cable with no amplifier
14600-XX-0012	LF3	25 ft fiber optic cable with D10 amplifier
14600-XX-0031	LC0	15 ft conductivity cable
14600-XX-0040	LC1	25 ft conductivity cable

Stroke Detect		
Part	Description	
14700-XX-0021	SFS0	15 ft fiber optic cable with no amplifier SFS0
14700-XX-0022	SFS1	15 ft fiber optic cable with D10 amplifier SFS1
14700-XX-0023	SFS2	25 ft fiber optic cable with no amplifier SFS2
14700-XX-0024	SFS3	25 ft fiber optic cable with D10 amplifier SFS3
14700-XX-0025	SFD0	15 ft fiber optic cable with no amplifier SFD0
14700-XX-0026	SFD1	15 ft fiber optic cable with D10 amplifier SFD1
14700-XX-0027	SFD2	25 ft fiber optic cable with no amplifier SFD2
14700-XX-0028	SFD3	25 ft fiber optic cable with D10 amplifier SFD3

Fittings (Type, Size, Option)	Assemblies	Body Inlet Only (Nut not included)
Flaretek Compatible	1/2 in. F08	14510-PF-0011 7200-PF-0015
	3/4 in. F12	14510-PF-0008 7200-PF-0009
	1 in. F16	14510-PF-0009 7200-PF-0010
	1-1/4 in. F20	14510-PF-0010 7200-PF-0011
Tube Out	3/4 in. T12	7120-PF-0007
	1 in. T16	7120-PF-0008
	1-1/4 in. T20	7120-PF-0009
	1-1/2 in. T24	7120-PF-0010
Weldable	3/4 in. W12	7300-PF-0005
	1 in. W16	7300-PF-0006
Pillar S-300	1/2 in. P08	14530-PF-0011 7400-TE-0019
	3/4 in. P12	14530-PF-0006 7400-TE-0006
	1 in. P16	14530-PF-0007 7400-TE-0007
	1-1/4 in. P20	14530-PF-0008 7400-TE-0008
	1-1/2 in. P24	14530-PF-0026 7400-TE-0035
FNPT	3/4 in. N12	7100-TE-0009
	1 in. N16	7100-TE-0005
	1-1/4 in. N20	7100-TE-0010
Synchro-Flare	1/2 in. S08	TBD 7010-TE-0008
	3/4 in. S12	14520-TE-0008 7010-TE-0007
	1 in. S16	14520-TE-0007 7010-TE-0009
PrimeLock	3/4 in. L12	14570-PF-0006 7800-TE-0006
	1 in. L16	14570-PF-0007 7800-TE-0007
	1-1/4 in. L20	7800-PF-0008 7800-TE-0008
Plugged	B00	7130-TE-0005 7130-TE-0005

<https://wkfluidhandling.com/pfh-series/>