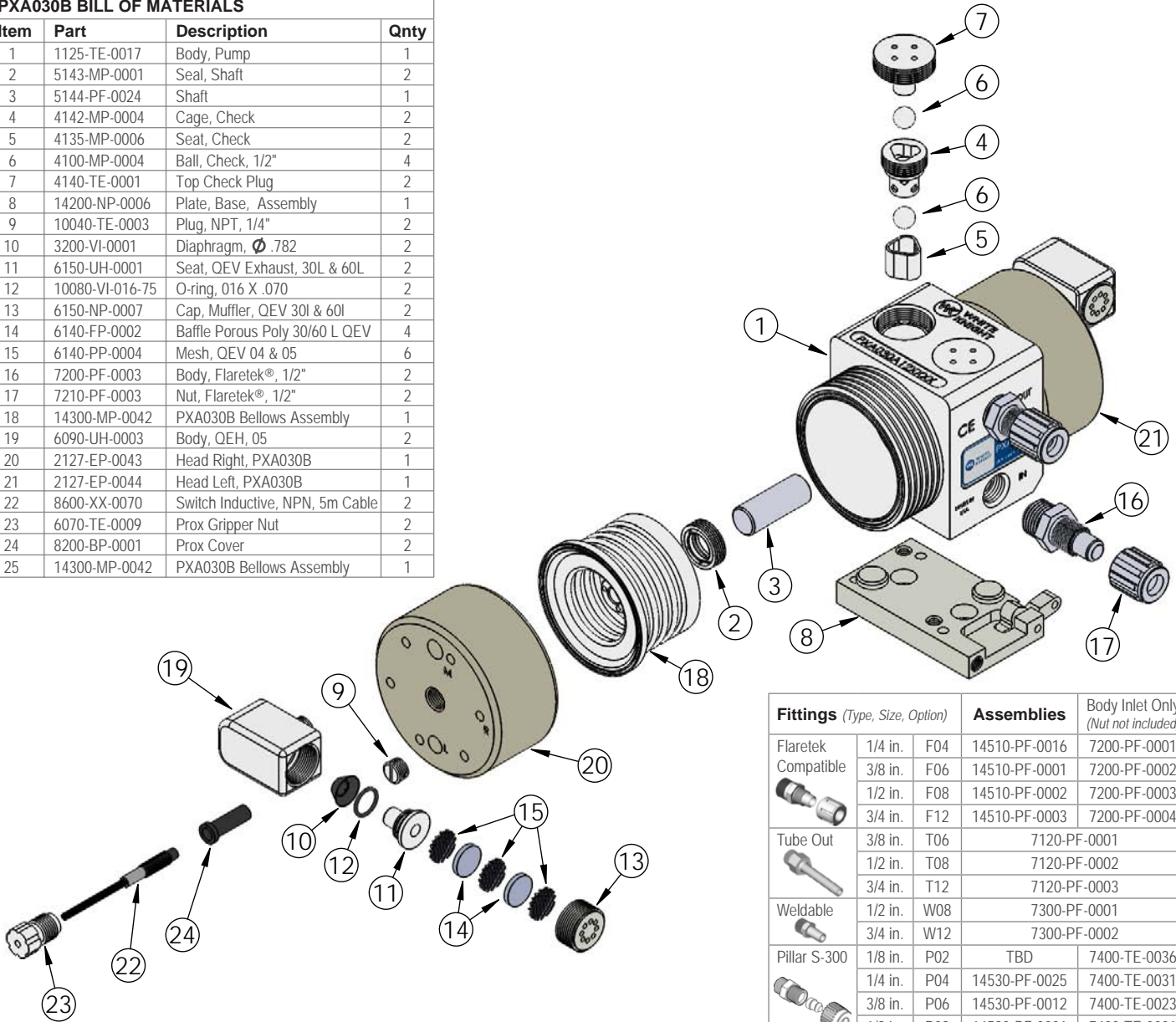


PXA030B Exploded View

PX A030B BILL OF MATERIALS			
Item	Part	Description	Qty
1	1125-TE-0017	Body, Pump	1
2	5143-MP-0001	Seal, Shaft	2
3	5144-PF-0024	Shaft	1
4	4142-MP-0004	Cage, Check	2
5	4135-MP-0006	Seat, Check	2
6	4100-MP-0004	Ball, Check, 1/2"	4
7	4140-TE-0001	Top Check Plug	2
8	14200-NP-0006	Plate, Base, Assembly	1
9	10040-TE-0003	Plug, NPT, 1/4"	2
10	3200-VI-0001	Diaphragm, Ø .782	2
11	6150-UH-0001	Seat, QEV Exhaust, 30L & 60L	2
12	10080-VI-016-75	O-ring, 016 X .070	2
13	6150-NP-0007	Cap, Muffler, QEV 30L & 60L	2
14	6140-FP-0002	Baffle Porous Poly 30/60 L QEV	4
15	6140-PP-0004	Mesh, QEV 04 & 05	6
16	7200-PF-0003	Body, Flaretek®, 1/2"	2
17	7210-PF-0003	Nut, Flaretek®, 1/2"	2
18	14300-MP-0042	PXA030B Bellows Assembly	1
19	6090-UH-0003	Body, QEH, 05	2
20	2127-EP-0043	Head Right, PXA030B	1
21	2127-EP-0044	Head Left, PXA030B	1
22	8600-XX-0070	Switch Inductive, NPN, 5m Cable	2
23	6070-TE-0009	Prox Gripper Nut	2
24	8200-BP-0001	Prox Cover	2
25	14300-MP-0042	PXA030B Bellows Assembly	1



Fittings (Type, Size, Option)		Assemblies	Body Inlet Only (Nut not included)
Flaretek Compatible	1/4 in. F04	14510-PF-0016	7200-PF-0001
	3/8 in. F06	14510-PF-0001	7200-PF-0002
	1/2 in. F08	14510-PF-0002	7200-PF-0003
	3/4 in. F12	14510-PF-0003	7200-PF-0004
Tube Out	3/8 in. T06		7120-PF-0001
	1/2 in. T08		7120-PF-0002
	3/4 in. T12		7120-PF-0003
Weldable	1/2 in. W08		7300-PF-0001
	3/4 in. W12		7300-PF-0002
Pillar S-300	1/8 in. P02	TBD	7400-TE-0036
	1/4 in. P04	14530-PF-0025	7400-TE-0031
	3/8 in. P06	14530-PF-0012	7400-TE-0023
	1/2 in. P08	14530-PF-0001	7400-TE-0001
	3/4 in. P12	14530-PF-0002	7400-TE-0002
FNPT	1/4 in. N04		7100-TE-0001
	3/8 in. N06		7100-TE-0002
	1/2 in. N08		7100-TE-0003
	3/4 in. N12		7100-TE-0007
Synchro-Flare	3/8 in. S06	14520-TE-0009	7010-TE-0001
	1/2 in. S08	14520-TE-0001	7010-TE-0003
	3/4 in. S12	14520-TE-0002	7010-TE-0002
PrimeLock	1/2 in. L08	14570-PF-0001	7800-TE-0001
	3/4 in. L12	14570-PF-0002	7800-TE-0002
Plugged	B00		7130-TE-0001

<https://wkfluidhandling.com/pxa-series/>