

PXH140 Exploded View

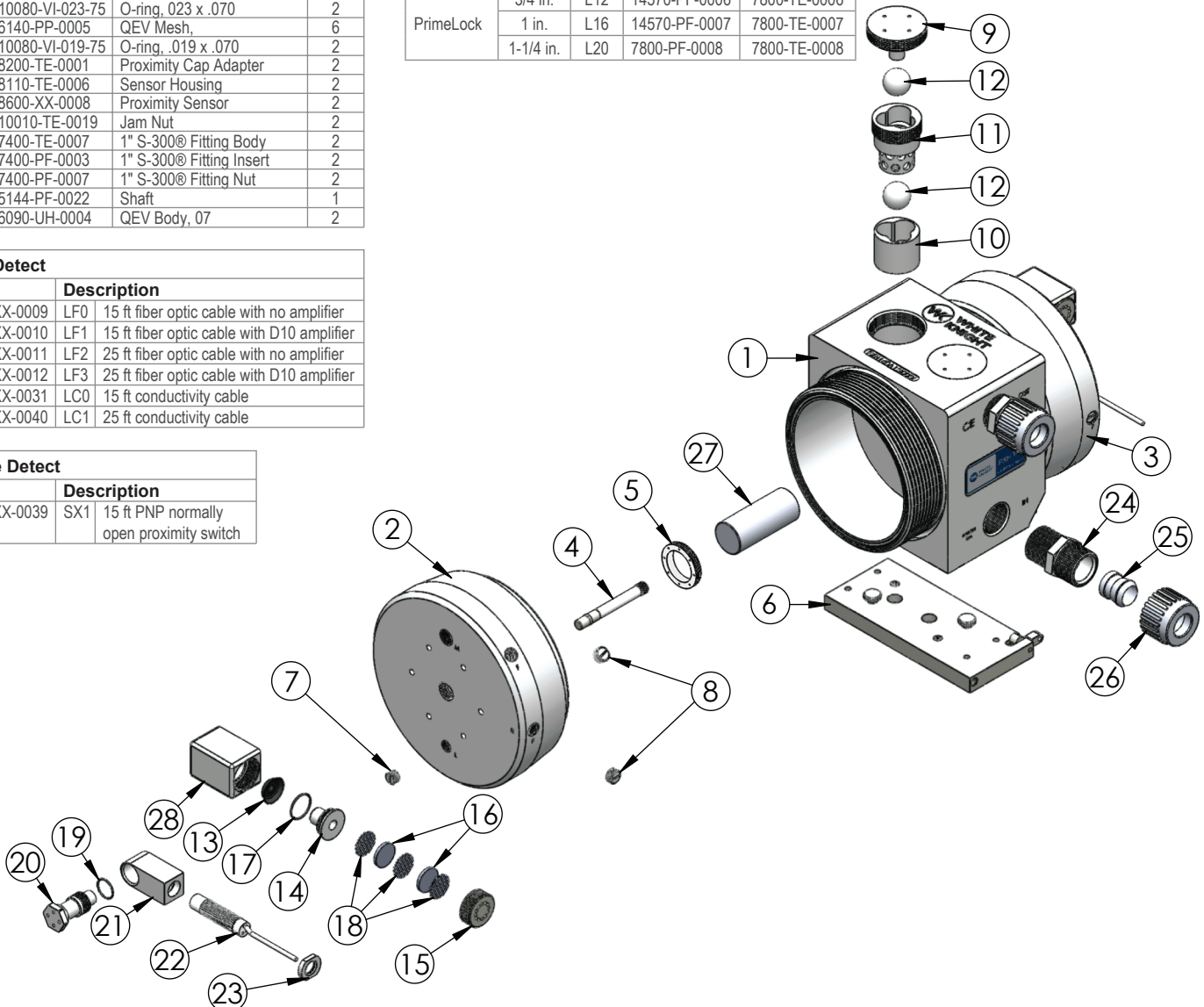
PXH140 BILL OF MATERIALS			
Item	Part Number	Description	Qty.
1	1125-TE-0018	Pump Body	1
2	2127-TE-0043	Head, Right	1
3	2127-TE-0044	Head, Left	1
4	14300-MP-0023	Bellows Assembly	2
5	5143-MP-0011	Seal, Shaft	2
6	14200-NP-0007	Base Plate Assembly	1
7	10040-TE-0003	1/4" NPT Plug	2
8	10040-TE-0006	5/8" Plug Short	4
9	4140-TE-0004	Check Plug	2
10	4135-MP-0004	Bottom Check Seat, Hi-flow	2
11	4142-MP-0003	Top Check Cage, Hi-flow	2
12	4100-MP-0003	1-1/8" Check Ball	4
13	3200-VI-0002	Diaphragm, Ø1.190	2
14	6150-UH-0002	QEV Exhaust Seat	2
15	6150-NP-0008	QEV Muffler Cap	2
16	6140-FP-0001	QEV Baffle Porous Poly	4
17	10080-VI-023-75	O-ring, 023 x .070	2
18	6140-PP-0005	QEV Mesh,	6
19	10080-VI-019-75	O-ring, .019 x .070	2
20	8200-TE-0001	Proximity Cap Adapter	2
21	8110-TE-0006	Sensor Housing	2
22	8600-XX-0008	Proximity Sensor	2
23	10010-TE-0019	Jam Nut	2
24	7400-TE-0007	1" S-300® Fitting Body	2
25	7400-PF-0003	1" S-300® Fitting Insert	2
26	7400-PF-0007	1" S-300® Fitting Nut	2
27	5144-PF-0022	Shaft	1
28	6090-UH-0004	QEV Body, 07	2

Fittings (Type, Size, Option)		Assemblies		Body Inlet Only (Nut not included)	
Flaretek Compatible	1/2 in. F08	14510-PF-0011	7200-PF-0015		
	3/4 in. F12	14510-PF-0008	7200-PF-0009		
	1 in. F16	14510-PF-0009	7200-PF-0010		
Pillar S-300	1-1/4 in. F20	14510-PF-0010	7200-PF-0011		
	1/2 in. P08	14530-PF-0011	7400-TE-0019		
	3/4 in. P12	14530-PF-0006	7400-TE-0006		
	1 in. P16	14530-PF-0007	7400-TE-0007		
Synchro-Flare	1-1/4 in. P20	14530-PF-0008	7400-TE-0008		
	1-1/2 in. P24	14530-PF-0026	7400-TE-0035		
	1/2 in. S08	TBD	7010-TE-0008		
	3/4 in. S12	14520-TE-0008	7010-TE-0007		
PrimeLock	1 in. S16	14520-TE-0007	7010-TE-0009		
	3/4 in. L12	14570-PF-0006	7800-TE-0006		
	1 in. L16	14570-PF-0007	7800-TE-0007		
	1-1/4 in. L20	7800-PF-0008	7800-TE-0008		

Fittings (Type, Size, Option)		Assemblies	
Tube Out	3/4 in. T12	7120-PF-0007	
	1 in. T16	7120-PF-0008	
	1-1/4 in. T20	7120-PF-0009	
	1-1/2 in. T24	7120-PF-0010	
Weldable	3/4 in. W12	7300-PF-0005	
	1 in. W16	7300-PF-0006	
FNPT	3/4 in. N12	7100-TE-0009	
	1 in. N16	7100-TE-0005	
	1-1/4 in. N20	7100-TE-0010	
Plugged	B00	7130-TE-0005	

Leak Detect		
Part	Description	
14600-XX-0009	LF0	15 ft fiber optic cable with no amplifier
14600-XX-0010	LF1	15 ft fiber optic cable with D10 amplifier
14600-XX-0011	LF2	25 ft fiber optic cable with no amplifier
14600-XX-0012	LF3	25 ft fiber optic cable with D10 amplifier
14600-XX-0031	LC0	15 ft conductivity cable
14600-XX-0040	LC1	25 ft conductivity cable

Stroke Detect		
Part	Description	
14700-XX-0039	SX1	15 ft PNP normally open proximity switch



<https://wkfluidhandling.com/pxh-series/>