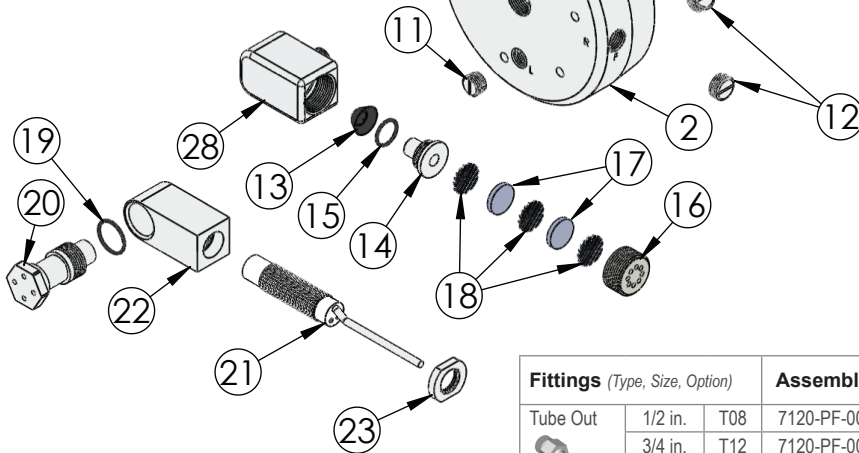


PXH060 Exploded View

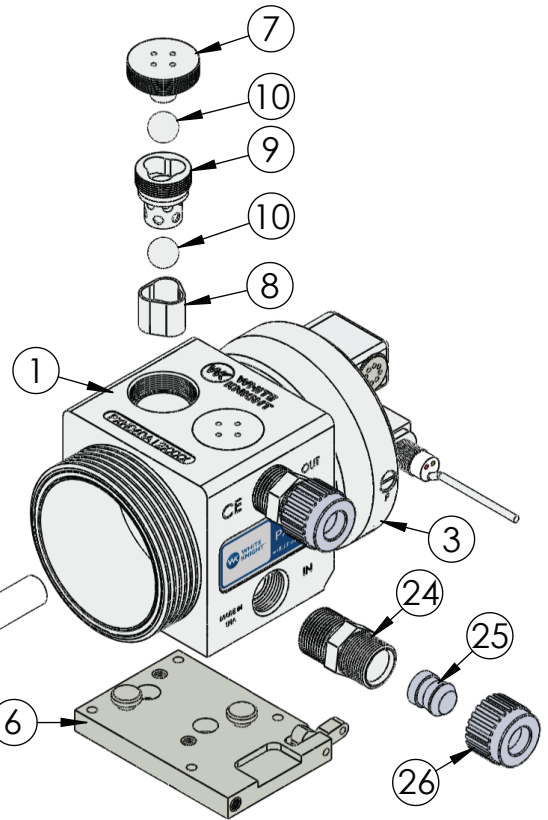
PXH060 BILL OF MATERIALS			
Item	Part Number	Description	Qty.
1	1125-TE-0016	Pump Body	1
2	2127-TE-0025	Head, Right	1
3	2127-TE-0026	Head, Left	1
4	14300-PF-0011	Bellows Assembly	2
5	5143-MP-0012	Seal, Shaft	2
6	14200-NP-0005	Plate, Base, Assembly	1
7	4140-TE-0002	Top Check Plug	2
8	4135-MP-0001	Seat, Check, Bottom, Hi-flow	2
9	4142-MP-0001	Cage, Check, Top, Hi-flow	2
10	4100-MP-0001	Ball, Check, 3/4"	4
11	10040-TE-0003	Plug, NPT, 1/4"	2
12	10040-TE-0006	Plug, 5/8", .300"	4
13	3200-VI-0001	Diaphragm, Ø.782	2
14	6150-UH-0001	Seat, QEV Exhaust	2
15	10080-VI-016-75	O-ring, .016 x .070	2
16	6150-NP-0007	Cap, Muffler, QEV	2
17	6140-FP-0002	Baffle Porous Poly QEV	4
18	6140-PP-0004	Mesh, QEV 04 & 05	6
19	10080-VI-019-75	O-ring, .019 X .070	2
20	8200-TE-0001	Adapter, Cap, Proximity	2
21	8600-XX-0008	Sensor, Proximity	2
22	8110-TE-0006	Housing, Sensor	2
23	10010-TE-0019	Nut, Jam	2
24	7400-TE-0004	Body, S-300®, 3/4"	2
25	7400-PF-0002	Insert, S-300®	2
26	7400-PF-0006	Nut, S-300®, 3/4"	2
27	5144-PF-0023	Shaft	1
28	6090-UH-0003	QEV Body, 05	2

Stroke Detect	
Part	Description
14700-XX-0039	SX1 15 ft PNP normally open proximity switch



Leak Detect	
Part	Description
14600-XX-0009	LF0 15 ft fiber optic cable with no amplifier
14600-XX-0010	LF1 15 ft fiber optic cable with D10 amplifier
14600-XX-0011	LF2 25 ft fiber optic cable with no amplifier
14600-XX-0012	LF3 25 ft fiber optic cable with D10 amplifier
14600-XX-0031	LC0 15 ft conductivity cable
14600-XX-0040	LC1 25 ft conductivity cable

Fittings (Type, Size, Option)		Assemblies	
Tube Out	1/2 in.	T08	7120-PF-0004
	3/4 in.	T12	7120-PF-0005
	1 in.	T16	7120-PF-0006
	1-1/4 in.	T20	7120-PF-0011
Weldable	3/4 in.	W12	7300-PF-0003
	1 in.	W16	7300-PF-0004
FNPT	1/2 in.	N08	7100-TE-0006
	3/4 in.	N12	7100-TE-0004
	1 in.	N16	7100-TE-0008
Plugged		B00	7130-TE-0003



Fittings (Type, Size, Option)		Assemblies		Body Inlet Only (Nut not included)
Flaretek Compatible	1/2 in.	F08	14510-PF-0004	7200-PF-0005
	3/4 in.	F12	14510-PF-0005	7200-PF-0006
	1 in.	F16	14510-PF-0006	7200-PF-0007
	1-1/4 in.	F20	14510-PF-0007	7200-PF-0008
Pillar S-300	3/8 in.	P06	14530-PF-0028	7400-TE-0036
	1/2 in.	P08	14530-PF-0003	7400-TE-0003
	3/4 in.	P12	14530-PF-0004	7400-TE-0004
	1 in.	P16	14530-PF-0005	7400-TE-0005
Synchro-Flare	1-1/4 in.	P20	14530-PF-0009	7400-TE-0012
	1/2 in.	S08	14520-TE-0003	7010-TE-0005
	3/4 in.	S12	14520-TE-0004	7010-TE-0004
PrimeLock	1 in.	S16	14520-TE-0006	7010-TE-0006
	1/2 in.	L08	14570-PF-0003	7800-TE-0003
	3/4 in.	L12	14570-PF-0004	7800-TE-0004
	1 in.	L16	14570-PF-0005	7800-TE-0005
	1-1/4 in.	L20	14570-PF-0012	7800-TE-0012

<https://wkfluidhandling.com/pxh-series/>