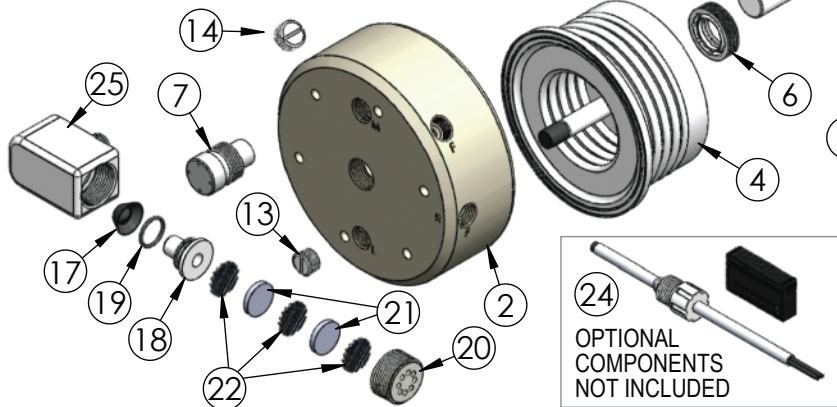


PFA060 Exploded View

PFA060 BILL OF MATERIALS

| Item | Part | Description | Qty. |
|------|-----------------|---|------|
| 1 | 1125-TE-0016 | Pump Body | 1 |
| 2 | 2127-EP-0024 | Head, Right | 1 |
| 3 | 2127-EP-0025 | Head, Left | 1 |
| 4 | 14300-PF-0015 | Bellows Assembly, Dual Probe Single Detect | 2 |
| 5 | 5144-PF-0023 | Shaft | 1 |
| 6 | 5143-MP-0012 | Seal, Shaft | 2 |
| 7 | 8100-PF-0002 | Cap, End, Single Probe Dual Detect | 2 |
| 8 | 14200-NP-0005 | Plate, Base, Assembly | 1 |
| 9 | 4140-TE-0002 | Top Check Plug | 2 |
| 10 | 4135-MP-0001 | Seat, Check, Bottom, Hi-flow | 2 |
| 11 | 4142-MP-0001 | Cage, Check, Top, Hi-flow | 2 |
| 12 | 4100-MP-0001 | Ball, Check, 3/4" | 4 |
| 13 | 10040-TE-0003 | Plug, NPT, 1/4" | 2 |
| 14 | 10040-TE-0006 | 5/8" Plug Short | 2 |
| 15 | 7200-PF-0006 | Body, Flaretek®, 3/4" | 2 |
| 16 | 7210-PF-0004 | Nut, Flaretek®, 3/4" | 2 |
| 17 | 3200-VI-0001 | Diaphragm, Ø.782 | 2 |
| 18 | 6150-UH-0001 | Seat, Qev Exhaust | 2 |
| 19 | 10080-VI-016-75 | O-ring, 016 X .070 | 2 |
| 20 | 6150-NP-0007 | Cap, Muffler, QEV | 2 |
| 21 | 6140-FP-0002 | Baffle Porous Poly QEV | 4 |
| 22 | 6140-PP-0004 | Mesh, QEV 04 & 05 | 6 |
| 23 | 14300-MP-0030 | Bellows Assembly, Single Probe Dual Detect | 1 |
| 24 | 14700-XX-0006 | Stroke Detect Fiber Optic Assembly With Wire Cutter | 2 |
| 25 | 6090-UH-0003 | QEH Body, 05 | 2 |



| Leak Detect | | | |
|---------------|-------------|--|--|
| Part | Description | | |
| 14600-XX-0009 | LF0 | 15 ft fiber optic cable with no amplifier | |
| 14600-XX-0010 | LF1 | 15 ft fiber optic cable with D10 amplifier | |
| 14600-XX-0011 | LF2 | 25 ft fiber optic cable with no amplifier | |
| 14600-XX-0012 | LF3 | 25 ft fiber optic cable with D10 amplifier | |
| 14600-XX-0031 | LC0 | 15 ft conductivity cable | |
| 14600-XX-0040 | LC1 | 25 ft conductivity cable | |

| Stroke Detect | | | |
|---------------|-------------|---|--|
| Part | Description | | |
| 14700-XX-0021 | SFS0 | 15 ft fiber optic cable with no amplifier SFS0 | |
| 14700-XX-0022 | SFS1 | 15 ft fiber optic cable with D10 amplifier SFS1 | |
| 14700-XX-0023 | SFS2 | 25 ft fiber optic cable with no amplifier SFS2 | |
| 14700-XX-0024 | SFS3 | 25 ft fiber optic cable with D10 amplifier SFS3 | |
| 14700-XX-0025 | SFD0 | 15 ft fiber optic cable with no amplifier SFD0 | |
| 14700-XX-0026 | SFD1 | 15 ft fiber optic cable with D10 amplifier SFD1 | |
| 14700-XX-0027 | SFD2 | 25 ft fiber optic cable with no amplifier SFD2 | |
| 14700-XX-0028 | SFD3 | 25 ft fiber optic cable with D10 amplifier SFD3 | |

| Fittings (Type, Size, Option) | | Assemblies | Body Inlet Only (Nut not included) |
|-------------------------------|---------------|---------------|------------------------------------|
| Flaretek Compatible | 1/2 in. F08 | 14510-PF-0004 | 7200-PF-0005 |
| | 3/4 in. F12 | 14510-PF-0005 | 7200-PF-0006 |
| | 1 in. F16 | 14510-PF-0006 | 7200-PF-0007 |
| | 1-1/4 in. F20 | 14510-PF-0007 | 7200-PF-0008 |
| Tube Out | 1/2 in. T08 | 7120-PF-0004 | |
| | 3/4 in. T12 | 7120-PF-0005 | |
| | 1 in. T16 | 7120-PF-0006 | |
| | 1-1/4 in. T20 | 7120-PF-0011 | |
| Weldable | 3/4 in. W12 | 7300-PF-0003 | |
| | 1 in. W16 | 7300-PF-0004 | |
| Pillar S-300 | 3/8 in. P06 | 14530-PF-0028 | 7400-TE-0036 |
| | 1/2 in. P08 | 14530-PF-0003 | 7400-TE-0003 |
| | 3/4 in. P12 | 14530-PF-0004 | 7400-TE-0004 |
| | 1 in. P16 | 14530-PF-0005 | 7400-TE-0005 |
| FNPT | 1-1/4 in. P20 | 14530-PF-0009 | 7400-TE-0012 |
| | 1/2 in. N08 | | 7100-TE-0006 |
| Synchro-Flare | 3/4 in. N12 | | 7100-TE-0004 |
| | 1 in. N16 | | 7100-TE-0008 |
| | 1/2 in. S08 | 14520-TE-0003 | 7010-TE-0005 |
| PrimeLock | 3/4 in. S12 | 14520-TE-0004 | 7010-TE-0004 |
| | 1 in. S16 | 14520-TE-0006 | 7010-TE-0006 |
| | 1/2 in. L08 | 14570-PF-0003 | 7800-TE-0003 |
| | 3/4 in. L12 | 14570-PF-0004 | 7800-TE-0004 |
| Plugged | 1 in. L16 | 14570-PF-0005 | 7800-TE-0005 |
| | 1-1/4 in. L20 | 14570-PF-0012 | 7800-TE-0012 |
| | B00 | | 7130-TE-0003 |

<https://wkfluidhandling.com/pfa-series/>