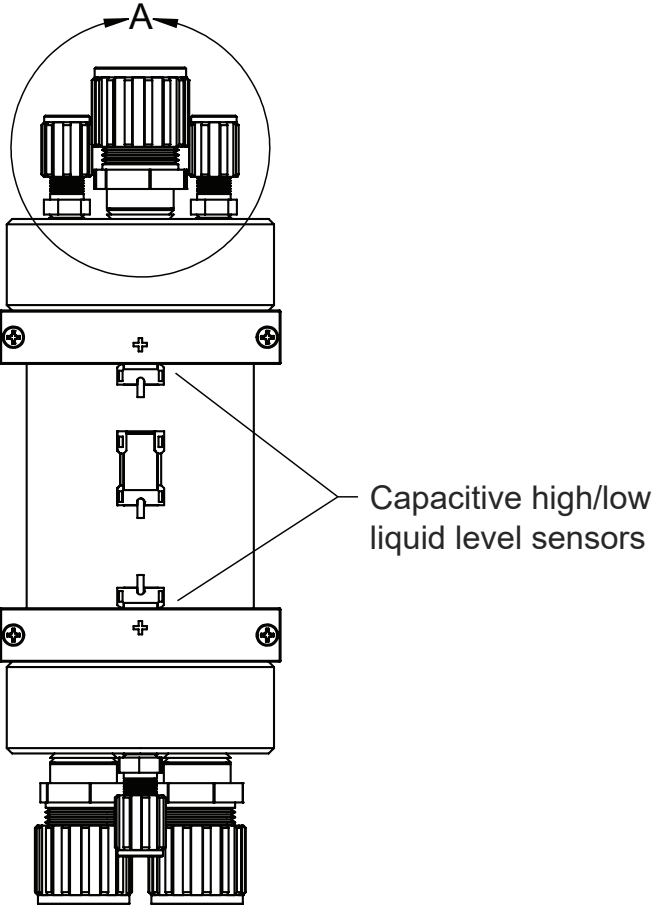
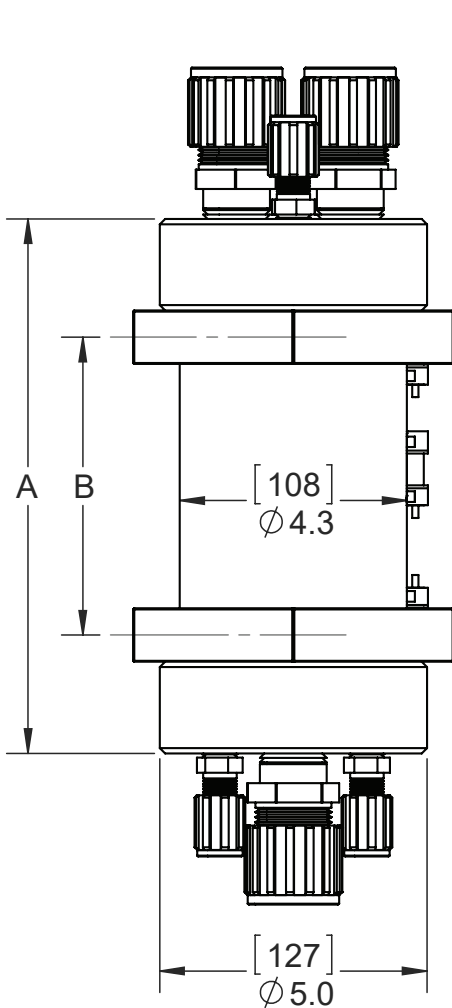
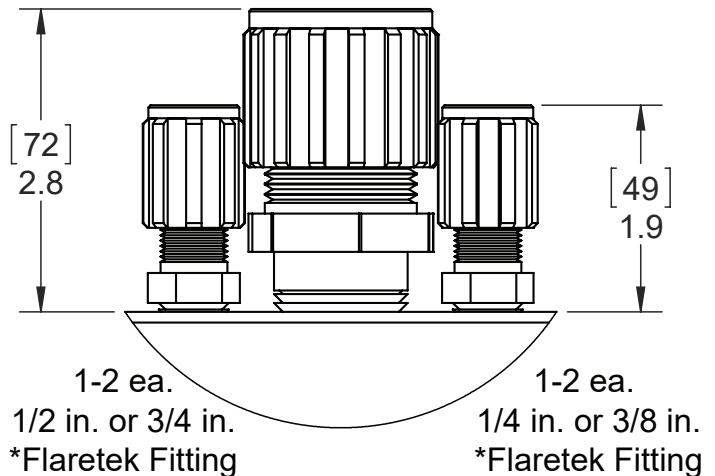
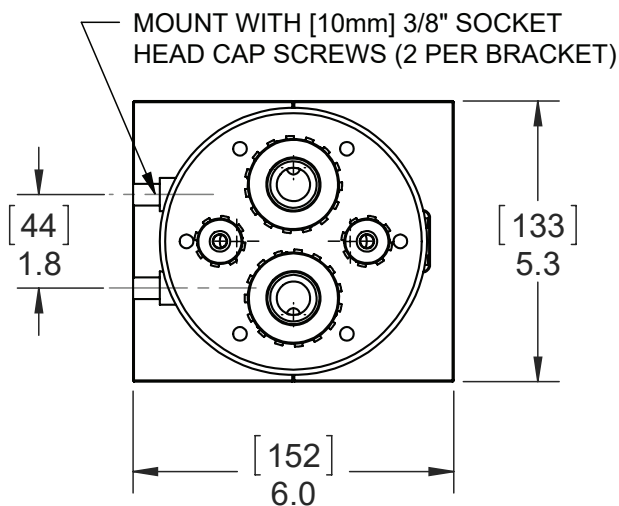


PV4 Dimensions

Dimensions: [mm] in



DETAIL A
SCALE 1 : 2



<https://wkfluidhandling.com/pressure-vessels/>