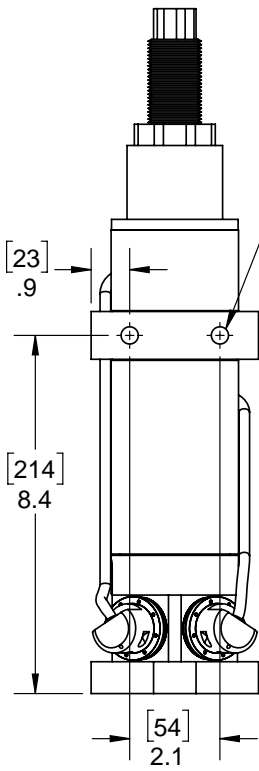
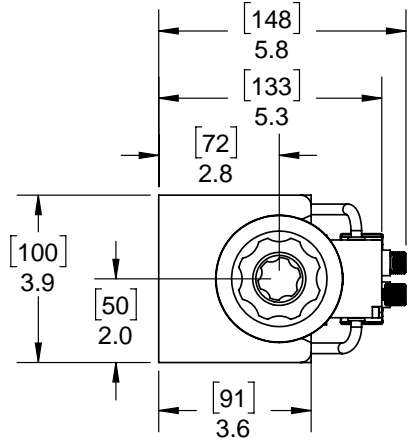


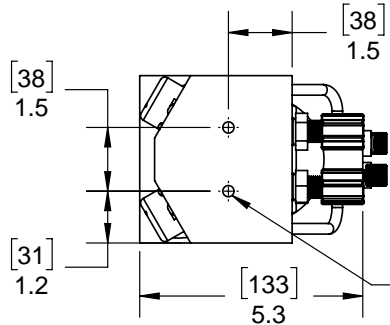
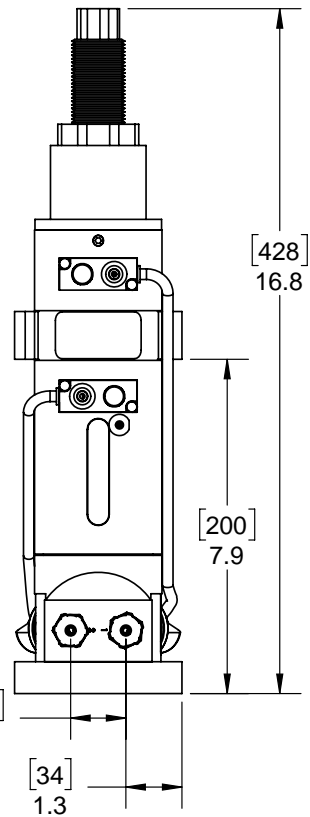
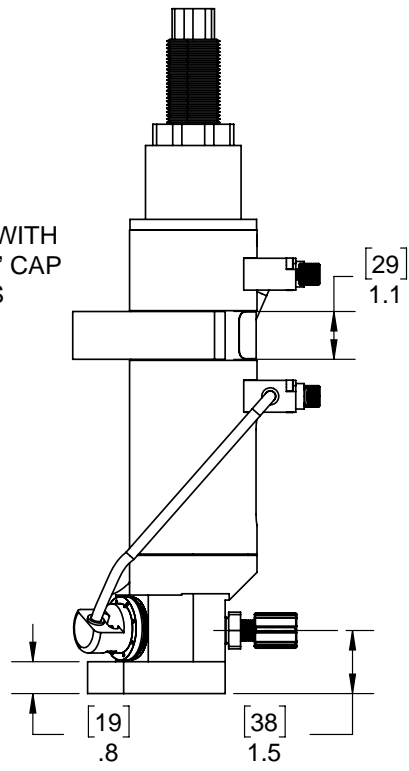


PPM100 Dimensions

Dimensions: [mm] in



MOUNT WITH TWO 3/8" CAP SCREWS



MOUNT WITH TWO 1/4" CAP SCREWS

<https://wkfluidhandling.com/ppm100/>

