

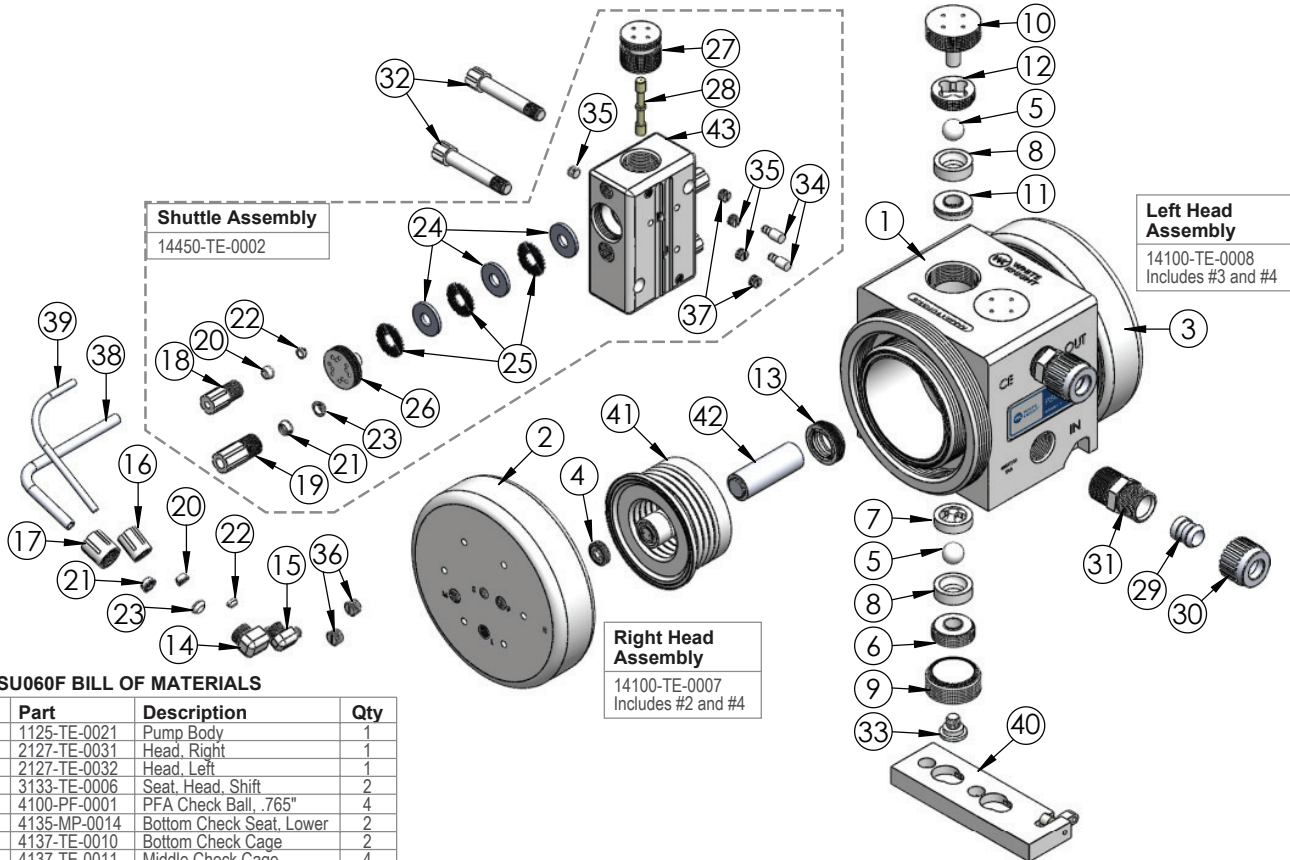


**WHITE KNIGHT®**

.....engineer approved™

# EXPLODED VIEW

## PSU060F Exploded View



### PSU060F BILL OF MATERIALS

#	Part	Description	Qty
1	1125-TE-0021	Pump Body	1
2	2127-TE-0031	Head, Right	1
3	2127-TE-0032	Head, Left	1
4	3133-TE-0006	Seat, Head, Shift	2
5	4100-PF-0001	PFA Check Ball, .765"	4
6	4135-MP-0014	Bottom Check Seat, Lower	2
7	4137-TE-0010	Bottom Check Cage	2
8	4137-TE-0011	Middle Check Cage	4
9	4139-TE-0005	Cage, Plug	2
10	4140-TE-0006	Top Check Plug	2
11	4142-MP-0008	Top Check Seat, Upper	2
12	4142-TE-0013	Top Check Cage	2
13	5143-MP-0004	Seal, Shaft	2
14	6020-TE-0004	Elbow, Gripper, 1/4" NPT x 3/8"	2
15	6030-TE-0001	Elbow, Gripper, 1/8" Npt X 1/4"	2
16	6070-TE-0001	Female Gripper Nut, 1/4"	2
17	6070-TE-0002	Nut, Gripper, Female, 3/8"	2
18	6070-TE-0004	Male Gripper Nut, 1/4"	2
19	6070-TE-0005	Male Gripper Nut, 3/8"	2
20	6080-KF-0001	Gripper, 1/4"	4
21	6080-KF-0002	Gripper, 3/8"	4
22	6080-TE-0001	Ferrule, 1/4"	4
23	6080-TE-0002	Ferrule, 3/8"	4
24	6140-FP-0004	Baffle	6
25	6140-PP-0002	Spacer, Baffle	6
26	6150-TE-0011	Cap, Muffler	2
27	6530-TE-0002	Shuttle End Plug	2
28	6560-CE-0002	Shuttle Spool	1
29	7400-PF-0002	Insert, S-300®	2
30	7400-PF-0006	Nut, S-300®, 3/4"	2
31	7400-TE-0004	Body, S-300®, 3/4"	2
32	10010-TE-0016	Screw, Mount, Shuttle	2
33	10010-TE-0018	Screw, Mount, Plate, Base	2
34	10020-TE-0004	Pin, Alignment, Shuttle	2
35	10040-TE-0002	Plug, NPT, 1/8"	3
36	10040-TE-0003	Plug, NPT, 1/4"	4
37	10040-TE-0015	Plug, Vent, NPT, 1/8"	2
38	10071-PF-0008	Tubing, Thick Wall, 1/4"	2
39	10071-PF-0010	Tubing, 3/8"	2
40	14200-TE-0003	Base Plate Assembly	1
41	14300-MP-0020	Bellows Assembly	2
42	14320-PF-0004	Shaft	1
43	14400-TE-0010	Shuttle Body with Sleeve	1

Fittings (Type, Size, Option)	Assemblies	Body Inlet Only (Nut not included)
Flaretek Compatible	1/2 in. F08	14510-PF-0004
	3/4 in. F12	14510-PF-0005
	1 in. F16	14510-PF-0006
	1-1/4 in. F20	14510-PF-0007
Tube Out	1/2 in. T08	7120-PF-0004
	3/4 in. T12	7120-PF-0005
	1 in. T16	7120-PF-0006
	1-1/4 in. T20	7120-PF-0011
Weldable	3/4 in. W12	7300-PF-0003
	1 in. W16	7300-PF-0004
Pillar S-300	3/8 in. P06	14530-PF-0028
	1/2 in. P08	14530-PF-0003
	3/4 in. P12	14530-PF-0004
	1 in. P16	14530-PF-0005
FNPT	1-1/4 in. P20	14530-PF-0009
	1/2 in. N08	7100-TE-0006
	3/4 in. N12	7100-TE-0004
	1 in. N16	7100-TE-0008
Synchro-Flare	1/2 in. S08	14520-TE-0003
	3/4 in. S12	14520-TE-0004
	1 in. S16	14520-TE-0006
PrimeLock	1/2 in. L08	14570-PF-0003
	3/4 in. L12	14570-PF-0004
	1 in. L16	14570-PF-0005
	1-1/4 in. L20	14570-PF-0012
Plugged	B00	7130-TE-0003

Part	Description
14600-XX-0009	LF0 15 ft fiber optic cable with no amplifier
14600-XX-0010	LF1 15 ft fiber optic cable with D10 amplifier
14600-XX-0011	LF2 25 ft fiber optic cable with no amplifier
14600-XX-0012	LF3 25 ft fiber optic cable with D10 amplifier
14600-XX-0031	LC0 15 ft conductivity cable
14600-XX-0040	LC1 25 ft conductivity cable

Part	Description
14700-XX-0017	SF0 15 ft fiber optic cable with no amplifier
14700-XX-0018	SF1 15 ft fiber optic cable with D10 amplifier
14700-XX-0019	SF2 25 ft fiber optic cable with no amplifier
14700-XX-0020	SF3 25 ft fiber optic cable with D10 amplifier

Part	Description
14900-NP-0004	SP1 Single NPN Switch
14900-NP-0003	SP2 Dual NPN Switches
14900-NP-0001	SP4 Single PNP Switch
14900-NP-0002	SP5 Dual PNP Switches

<https://wkfluidhandling.com/psu-series/>

