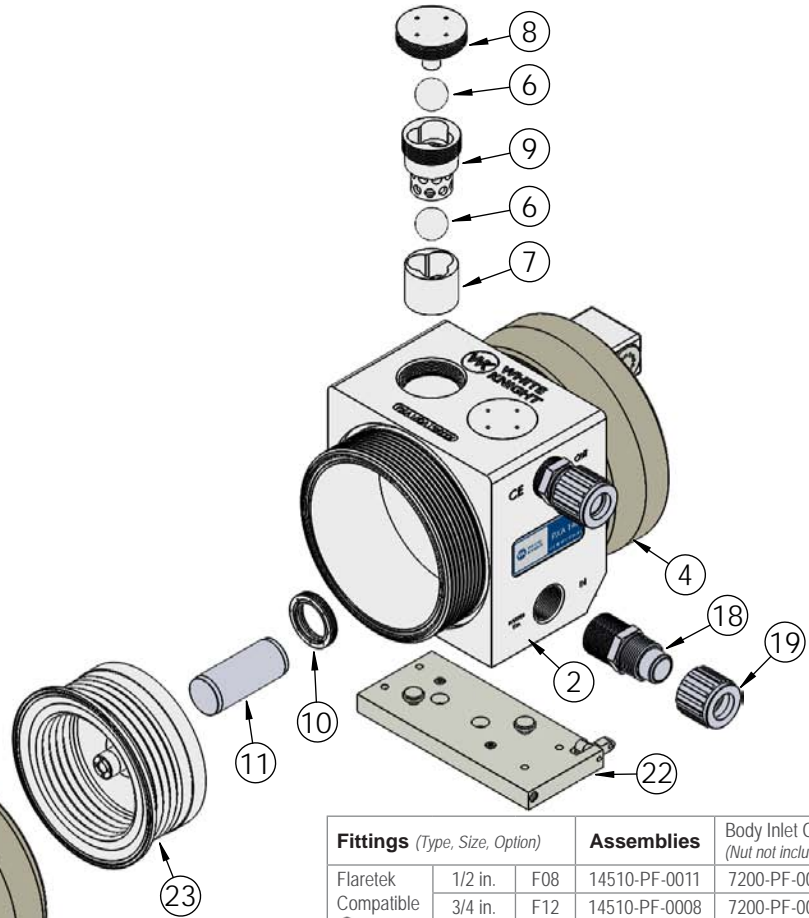


PXA140B Exploded View

PX140B BILL OF MATERIALS			
Item	Part	Description	Qty
1	8600-XX-0070	Switch Inductive, Npn, 5m Cable	2
2	1125-TE-0018	Pump Body, A & H, 140l	1
3	2127-EP-0047	Head, Right, Pxa 140b	1
4	2127-EP-0048	Head, Left, Pxa 140b	1
5	3200-VI-0002	Diaphragm, Ø1.190	2
6	4100-MP-0003	Check Ball- 1-1/8"	4
7	4135-MP-0004	Bottom Check Seat-120/140l High Flow	2
8	4140-TE-0004	Top Check Plug-30gpm	2
9	4142-MP-0003	Top Check Seat-30gpm High Flow	2
10	5143-MP-0003	Seal, Shaft, 140l	2
11	5144-PF-0022	Shaft, Solid, Pfa, 140l	1
12	6070-TE-0009	Prox Gripper Nut	2
13	6090-UH-0004	Body, Qev, 07	2
14	6140-FP-0001	Baffle Porous Poly 140 L Qev	4
15	6140-PP-0005	Mesh, Qev 06 & 07	6
16	6150-NP-0008	Cap, Muffler, Qev, 140l	2
17	6150-UH-0002	Seat, Qev Exhaust, 140l	2
18	7200-PF-0010	1" Flaretek-30gpm	2
19	7210-PF-0005	1" Flaretek Nut (Pfa)	2
20	10040-TE-0003	Npt Plug - 1/4"	2
21	10080-VI-023-75	O-ring, 023 X .070	2
22	14200-NP-0007	140l Base Plate Assembly	1
23	14300-MP-0045	Bellows Assembly, Pxa140b	2
24	19100-PP-0030	Label, Product, Pxa140	1
25	19100-PP-0005	Pump Patent Sticker	1
26	8200-BP-0001	Prox Cover	2



Fittings (Type, Size, Option)			Assemblies	Body Inlet Only (Nut not included)
Flaretek Compatible	1/2 in.	F08	14510-PF-0011	7200-PF-0015
	3/4 in.	F12	14510-PF-0008	7200-PF-0009
	1 in.	F16	14510-PF-0009	7200-PF-0010
	1-1/4 in.	F20	14510-PF-0010	7200-PF-0011
Tube Out	3/4 in.	T12	7120-PF-0007	
	1 in.	T16	7120-PF-0008	
	1-1/4 in.	T20	7120-PF-0009	
	1-1/2 in.	T24	7120-PF-0010	
Weldable	3/4 in.	W12	7300-PF-0005	
	1 in.	W16	7300-PF-0006	
Pillar S-300	1/2 in.	P08	14530-PF-0011	7400-TE-0019
	3/4 in.	P12	14530-PF-0006	7400-TE-0006
	1 in.	P16	14530-PF-0007	7400-TE-0007
	1-1/4 in.	P20	14530-PF-0008	7400-TE-0008
	1-1/2 in.	P24	14530-PF-0026	7400-TE-0035
FNPT	3/4 in.	N12	7100-TE-0009	
	1 in.	N16	7100-TE-0005	
	1-1/4 in.	N20	7100-TE-0010	
Synchro-Flare	1/2 in.	S08	TBD	7010-TE-0008
	3/4 in.	S12	14520-TE-0008	7010-TE-0007
	1 in.	S16	14520-TE-0007	7010-TE-0009
PrimeLock	3/4 in.	L12	14570-PF-0006	7800-TE-0006
	1 in.	L16	14570-PF-0007	7800-TE-0007
	1-1/4 in.	L20	TBD	7800-TE-0008
Plugged		B00	7130-TE-0005	

<https://wkfluidhandling.com/pxa-series/>