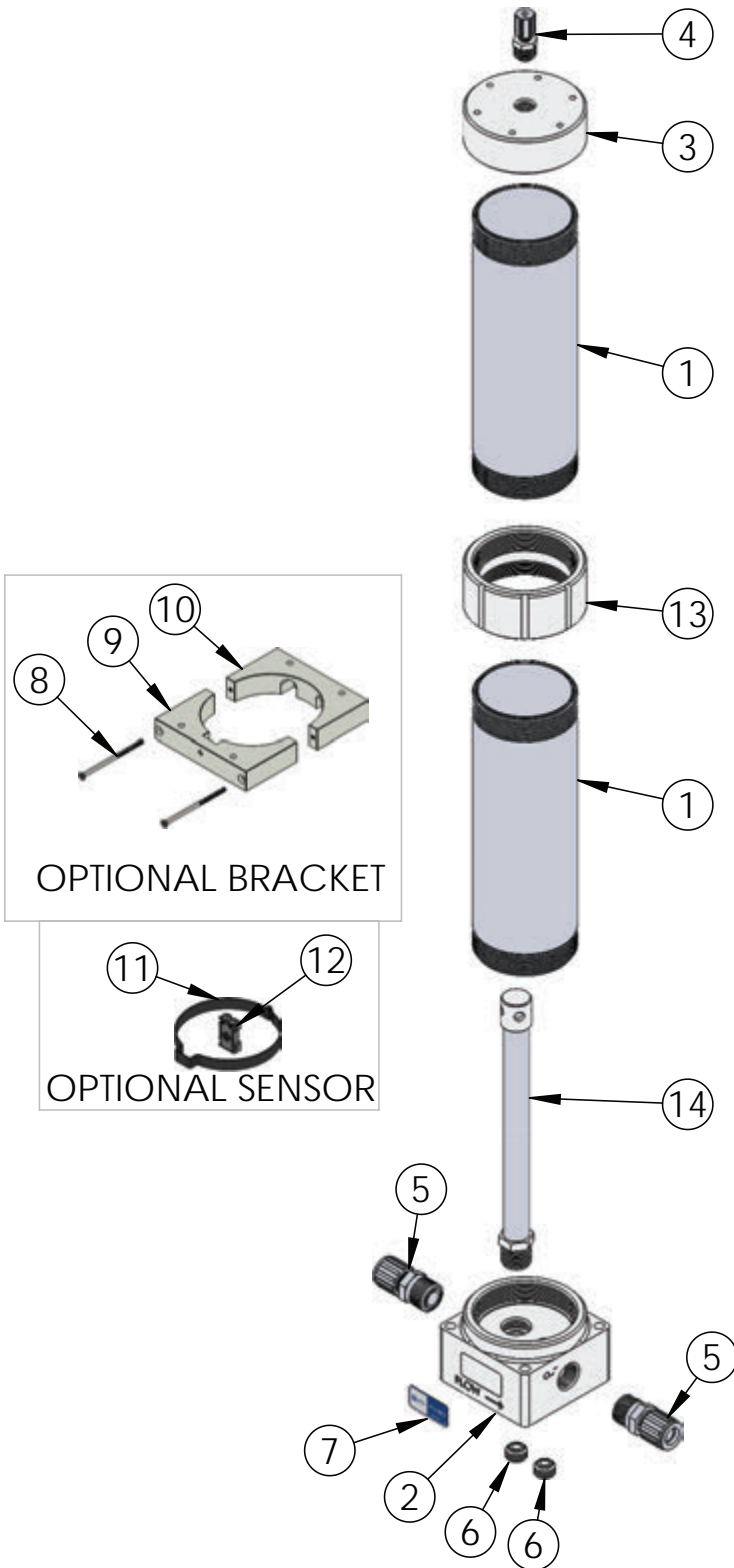


CBA-4A-4 Exploded View



Item	Part Number	Description	Qty
1	1125-PF-0005	2-Liter Body	2
2	2160-TE-0013	Side Port Cap	1
3	2160-TE-0012	Single Port Cap	1
4	14510-PF-0016	1/4" Flaretek Fitting Assembly	1
5	14510-PF-0005	3/4" Flaretek Fitting Assembly	2
6	7130-TE-0001	Fluid Port Plug-5gpm	2
7	19100-PP-0008	Product Label	1
8	10010-SS-0034	Screw, Mounting, 10-24 X 3.5 Fh	2
9	1146-NP-0027	Sensor Holder Front Mount Clamp	1
10	1146-NP-0028	Clamp, Rear Mount	1
11	10010-XX-0003	Cable Tie Rel Poly Wr Blk 20.1"	1
12	8600-XX-0047	Capacitive Sensor	1
13	2160-TE-0008	Coupler	1
14	14550-PF-0014	4-Liter Debubbler Tube Assembly	1

Fittings (Type, Size, Option)			Assemblies	Body Inlet Only (Nut not included)
Flaretek Compatible	1/2 in.	F08	14510-PF-0004	7200-PF-0005
	3/4 in.	F12	14510-PF-0005	7200-PF-0006
	1 in.	F16	14510-PF-0006	7200-PF-0007
	1-1/4 in.	F20	14510-PF-0007	7200-PF-0008
Tube Out	1/2 in.	T08	7120-PF-0004	
	3/4 in.	T12	7120-PF-0005	
	1 in.	T16	7120-PF-0006	
	1-1/4 in.	T20	7120-PF-0011	
Weldable	3/4 in.	W12	7300-PF-0003	
	1 in.	W16	7300-PF-0004	
Pillar S-300	3/8 in.	P06	14530-PF-0028	7400-TE-0036
	1/2 in.	P08	14530-PF-0003	7400-TE-0003
	3/4 in.	P12	14530-PF-0004	7400-TE-0004
	1 in.	P16	14530-PF-0005	7400-TE-0005
	1-1/4 in.	P20	14530-PF-0009	7400-TE-0012
FNPT	1/2 in.	N08	7100-TE-0006	
	3/4 in.	N12	7100-TE-0004	
	1 in.	N16	7100-TE-0008	
Synchro-Flare	1/2 in.	S08	14520-TE-0003	7010-TE-0005
	3/4 in.	S12	14520-TE-0004	7010-TE-0004
	1 in.	S16	14520-TE-0006	7010-TE-0006
PrimeLock	1/2 in.	L08	14570-PF-0003	7800-TE-0003
	3/4 in.	L12	14570-PF-0004	7800-TE-0004
	1 in.	L16	14570-PF-0005	7800-TE-0005
	1-1/4 in.	L20	14570-PF-0012	7800-TE-0012
Plugged		B00	7130-TE-0003	

<https://wkfluidhandling.com/cba-series/>