

PXU140 Exploded View

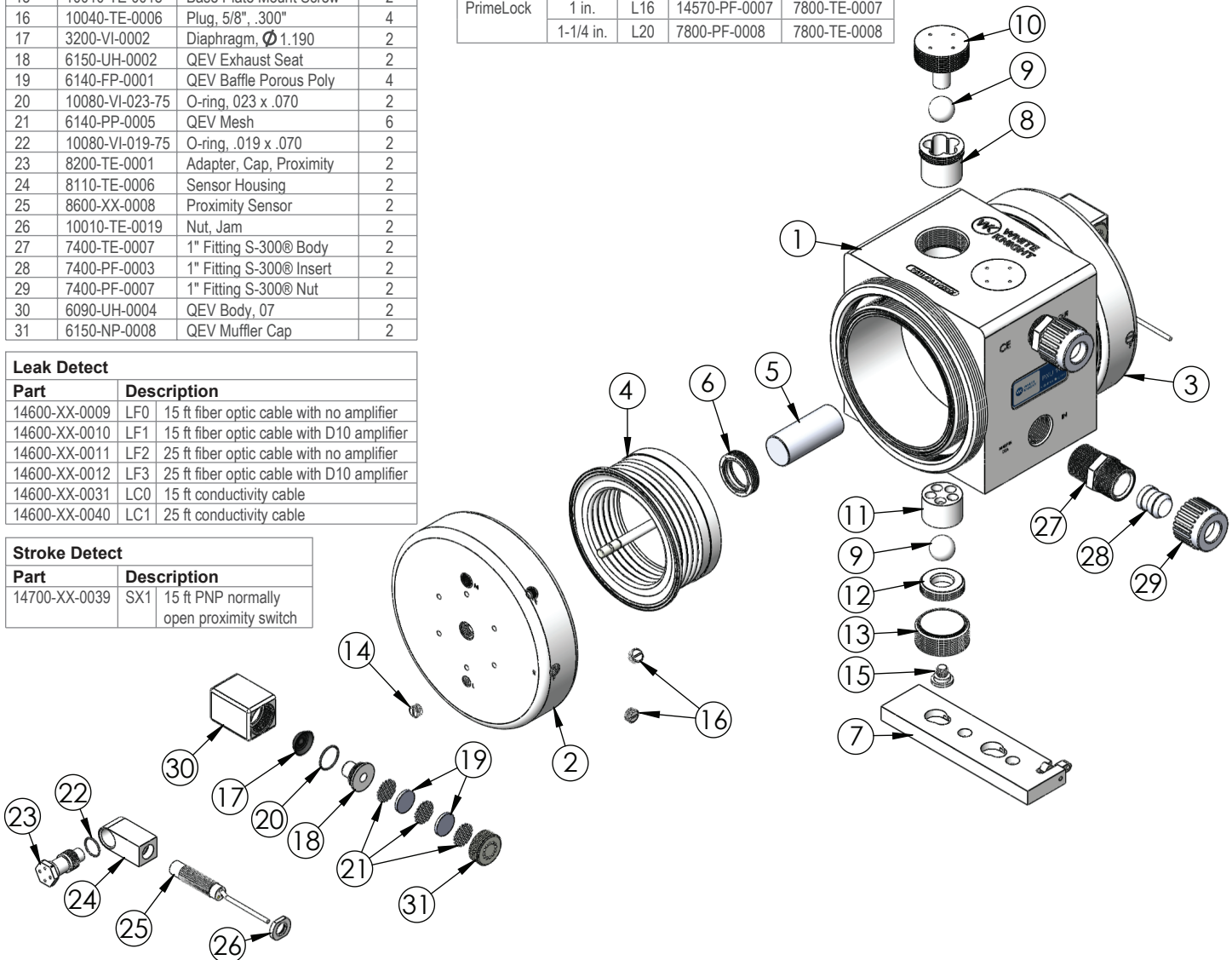
PXU140 BILL OF MATERIALS			
Item	Part Number	Description	Qty.
1	1125-TE-0022	Body, Pump	1
2	2127-TE-0039	Head, Right	1
3	2127-TE-0040	Head, Left	1
4	14300-MP-0023	Bellows Assembly	2
5	14320-PF-0003	Shaft	1
6	5143-MP-0005	Seal, Shaft	2
7	14200-TE-0004	Base Plate Assembly	1
8	4142-MP-0007	Top Check Seat	2
9	4100-MP-0003	1-1/8" Check Ball	4
10	4140-TE-0007	Check Plug	2
11	4137-TE-0003	Check Cage	2
12	4135-MP-0009	Check Seat	2
13	4139-TE-0006	Check Plug	2
14	10040-TE-0003	1/4" NPT Plug	2
15	10010-TE-0018	Base Plate Mount Screw	2
16	10040-TE-0006	Plug, 5/8", .300"	4
17	3200-VI-0002	Diaphragm, Ø 1.190	2
18	6150-UH-0002	QEV Exhaust Seat	2
19	6140-FP-0001	QEV Baffle Porous Poly	4
20	10080-VI-023-75	O-ring, .023 x .070	2
21	6140-PP-0005	QEV Mesh	6
22	10080-VI-019-75	O-ring, .019 x .070	2
23	8200-TE-0001	Adapter, Cap, Proximity	2
24	8110-TE-0006	Sensor Housing	2
25	8600-XX-0008	Proximity Sensor	2
26	10010-TE-0019	Nut, Jam	2
27	7400-TE-0007	1" Fitting S-300@ Body	2
28	7400-PF-0003	1" Fitting S-300@ Insert	2
29	7400-PF-0007	1" Fitting S-300@ Nut	2
30	6090-UH-0004	QEV Body, 07	2
31	6150-NP-0008	QEV Muffler Cap	2

Leak Detect	
Part	Description
14600-XX-0009	LF0 15 ft fiber optic cable with no amplifier
14600-XX-0010	LF1 15 ft fiber optic cable with D10 amplifier
14600-XX-0011	LF2 25 ft fiber optic cable with no amplifier
14600-XX-0012	LF3 25 ft fiber optic cable with D10 amplifier
14600-XX-0031	LC0 15 ft conductivity cable
14600-XX-0040	LC1 25 ft conductivity cable

Stroke Detect	
Part	Description
14700-XX-0039	SX1 15 ft PNP normally open proximity switch

Fittings (Type, Size, Option)			Assemblies		Body Inlet Only (Nut not included)
Flaretek Compatible	1/2 in.	F08	14510-PF-0011	7200-PF-0015	
	3/4 in.	F12	14510-PF-0008	7200-PF-0009	
	1 in.	F16	14510-PF-0009	7200-PF-0010	
	1-1/4 in.	F20	14510-PF-0010	7200-PF-0011	
Pillar S-300	1/2 in.	P08	14530-PF-0011	7400-TE-0019	
	3/4 in.	P12	14530-PF-0006	7400-TE-0006	
	1 in.	P16	14530-PF-0007	7400-TE-0007	
	1-1/4 in.	P20	14530-PF-0008	7400-TE-0008	
	1-1/2 in.	P24	14530-PF-0026	7400-TE-0035	
Synchro-Flare	1/2 in.	S08	TBD	7010-TE-0008	
	3/4 in.	S12	14520-TE-0008	7010-TE-0007	
	1 in.	S16	14520-TE-0007	7010-TE-0009	
PrimeLock	3/4 in.	L12	14570-PF-0006	7800-TE-0006	
	1 in.	L16	14570-PF-0007	7800-TE-0007	
	1-1/4 in.	L20	7800-PF-0008	7800-TE-0008	

Fittings (Type, Size, Option)			Assemblies	
Tube Out	3/4 in.	T12	7120-PF-0007	
	1 in.	T16	7120-PF-0008	
	1-1/4 in.	T20	7120-PF-0009	
	1-1/2 in.	T24	7120-PF-0010	
Weldable	3/4 in.	W12	7300-PF-0005	
	1 in.	W16	7300-PF-0006	
FNPT	3/4 in.	N12	7100-TE-0009	
	1 in.	N16	7100-TE-0005	
	1-1/4 in.	N20	7100-TE-0010	
Plugged		B00	7130-TE-0005	



<https://wkfluidhandling.com/pxu-series/>