

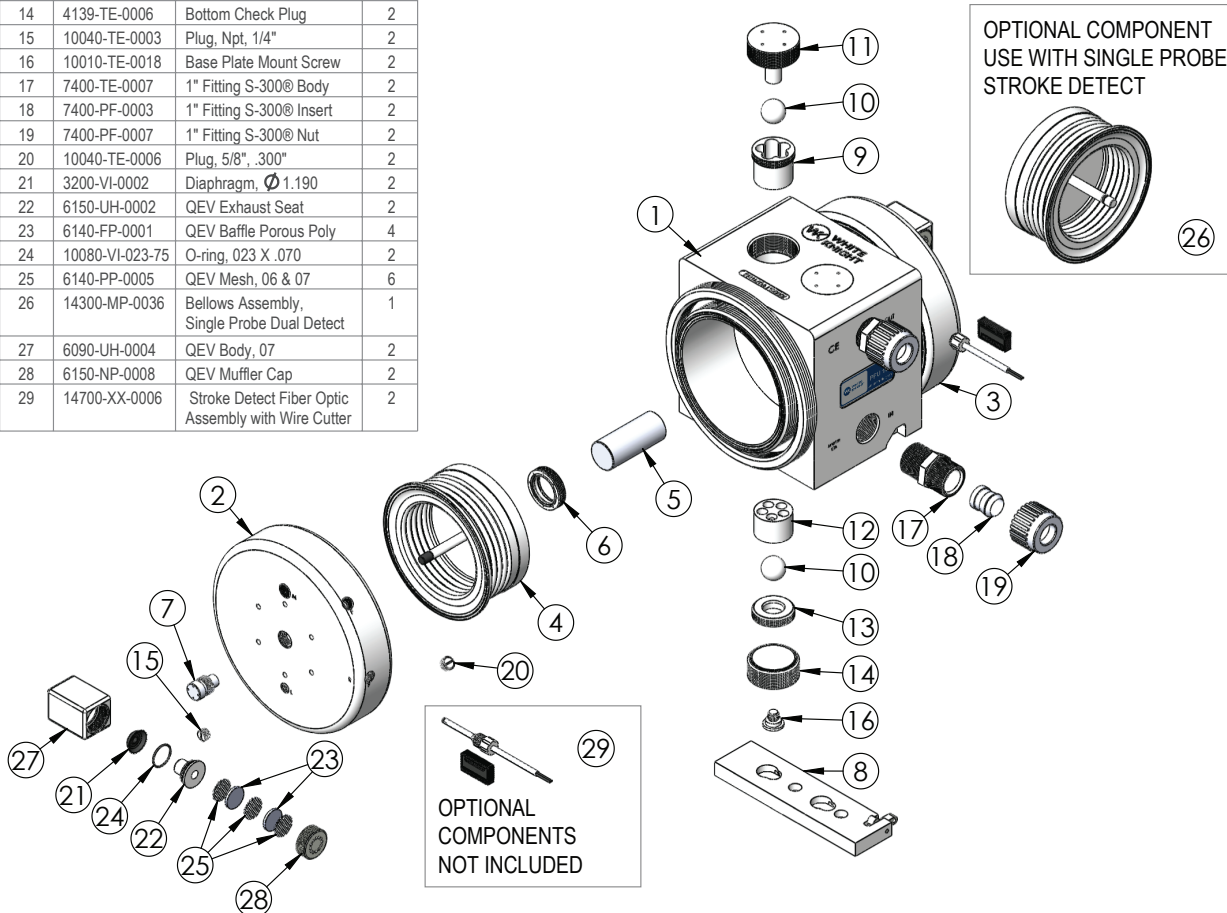


PFU140 Exploded View

PFU140 BILL OF MATERIALS			
Item	Part	Description	Qty
1	1125-TE-0022	Pump Body	1
2	2127-TE-0039	Head, Right	1
3	2127-TE-0040	Head, Left	1
4	14300-MP-0029	Bellows Assembly, Dual Probe Single Detect	2
5	14320-PF-0003	Shaft	1
6	5143-MP-0005	Seal, Shaft	2
7	8100-PF-0002	End Cap, Single Probe Dual Detect	2
8	14200-TE-0004	Base Plate Assembly	1
9	4142-MP-0007	Top Check Seat	2
10	4100-MP-0003	1-1/8" Check Ball	4
11	4140-TE-0007	Top Check Plug	2
12	4137-TE-0003	Check Cage	2
13	4135-MP-0009	Check Seat	2
14	4139-TE-0006	Bottom Check Plug	2
15	10040-TE-0003	Plug, Npt, 1/4"	2
16	10010-TE-0018	Base Plate Mount Screw	2
17	7400-TE-0007	1" Fitting S-300® Body	2
18	7400-PF-0003	1" Fitting S-300® Insert	2
19	7400-PF-0007	1" Fitting S-300® Nut	2
20	10040-TE-0006	Plug, 5/8", .300"	2
21	3200-VI-0002	Diaphragm, Ø 1.190	2
22	6150-UH-0002	QEV Exhaust Seat	2
23	6140-FP-0001	QEV Baffle Porous Poly	4
24	10080-VI-023-75	O-ring, 023 X .070	2
25	6140-PP-0005	QEV Mesh, 06 & 07	6
26	14300-MP-0036	Bellows Assembly, Single Probe Dual Detect	1
27	6090-UH-0004	QEV Body, 07	2
28	6150-NP-0008	QEV Muffler Cap	2
29	14700-XX-0006	Stroke Detect Fiber Optic Assembly with Wire Cutter	2

Fittings (Type, Size, Option)	Assemblies	Body Inlet Only (Nut not included)
Flaretek Compatible	1/2 in. F08 3/4 in. F12 1 in. F16 1-1/4 in. F20	14510-PF-0011 14510-PF-0008 14510-PF-0009 14510-PF-0010
Pillar S-300	1/2 in. P08 3/4 in. P12 1 in. P16 1-1/4 in. P20 1-1/2 in. P24	14530-PF-0011 14530-PF-0006 14530-PF-0007 14530-PF-0008 14530-PF-0026
Synchro-Flare	1/2 in. S08 3/4 in. S12 1 in. S16	TBD 14520-TE-0008 14520-TE-0007
PrimeLock	3/4 in. L12 1 in. L16 1-1/4 in. L20	14570-PF-0006 14570-PF-0007 7800-PF-0008
		7200-PF-0015 7200-PF-0009 7200-PF-0010 7200-PF-0011 7400-TE-0019 7400-TE-0006 7400-TE-0007 7400-TE-0008 7400-TE-0035 7010-TE-0008 7010-TE-0007 7010-TE-0009 7800-TE-0006 7800-TE-0007 7800-TE-0008

Fittings (Type, Size, Option)	Assemblies
Tube Out	3/4 in. T12 1 in. T16 1-1/4 in. T20 1-1/2 in. T24
Weldable	3/4 in. W12 1 in. W16
FNPT	3/4 in. N12 1 in. N16 1-1/4 in. N20
Plugged	B00
	7120-PF-0007 7120-PF-0008 7120-PF-0009 7120-PF-0010 7300-PF-0005 7300-PF-0006 7100-TE-0009 7100-TE-0005 7100-TE-0010 7130-TE-0005



Leak Detect		
Part	Description	
14600-XX-0009	LF0	15 ft fiber optic cable with no amplifier
14600-XX-0010	LF1	15 ft fiber optic cable with D10 amplifier
14600-XX-0011	LF2	25 ft fiber optic cable with no amplifier
14600-XX-0012	LF3	25 ft fiber optic cable with D10 amplifier
14600-XX-0031	LC0	15 ft conductivity cable
14600-XX-0040	LC1	25 ft conductivity cable

Stroke Detect		
Part	Description	
14700-XX-0021	SFS0	15 ft fiber optic cable with no amplifier SFS0
14700-XX-0022	SFS1	15 ft fiber optic cable with D10 amplifier SFS1
14700-XX-0023	SFS2	25 ft fiber optic cable with no amplifier SFS2
14700-XX-0024	SFS3	25 ft fiber optic cable with D10 amplifier SFS3
14700-XX-0025	SFD0	15 ft fiber optic cable with no amplifier SFD0
14700-XX-0026	SFD1	15 ft fiber optic cable with D10 amplifier SFD1
14700-XX-0027	SFD2	25 ft fiber optic cable with no amplifier SFD2
14700-XX-0028	SFD3	25 ft fiber optic cable with D10 amplifier SFD3

<https://wkfluidhandling.com/pfu-series/>

