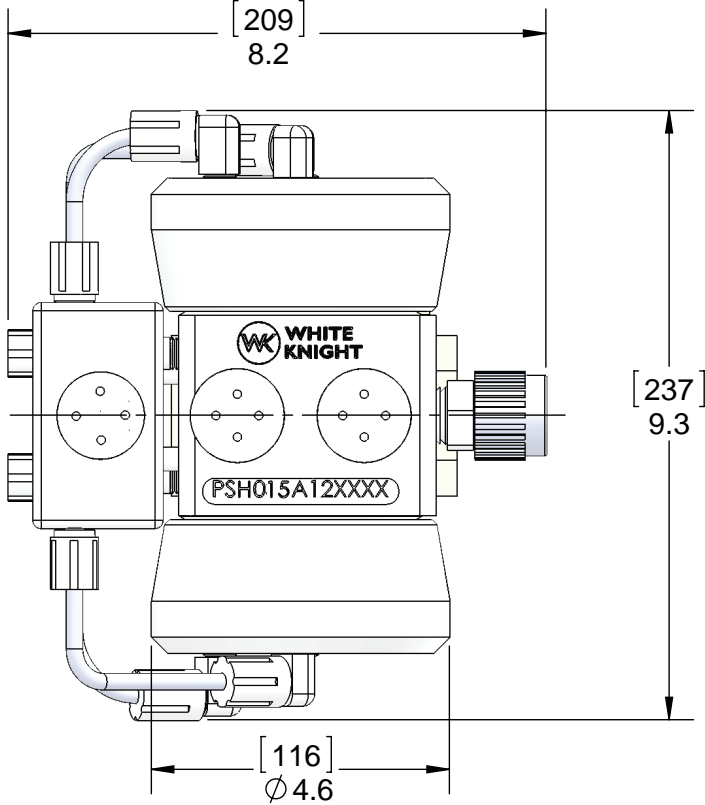


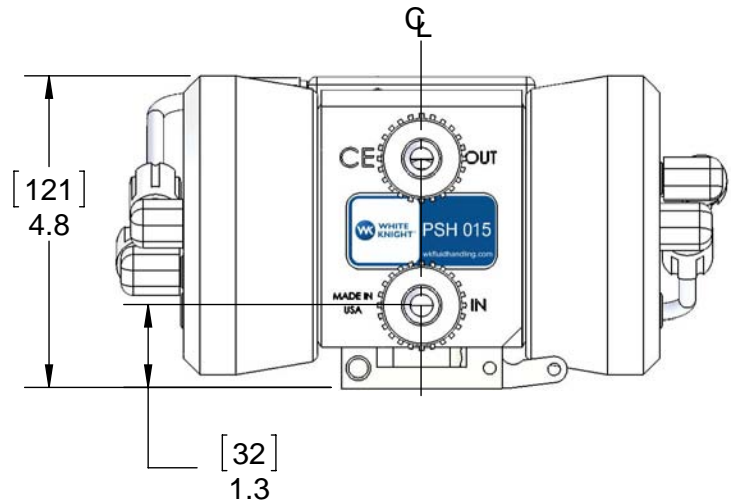
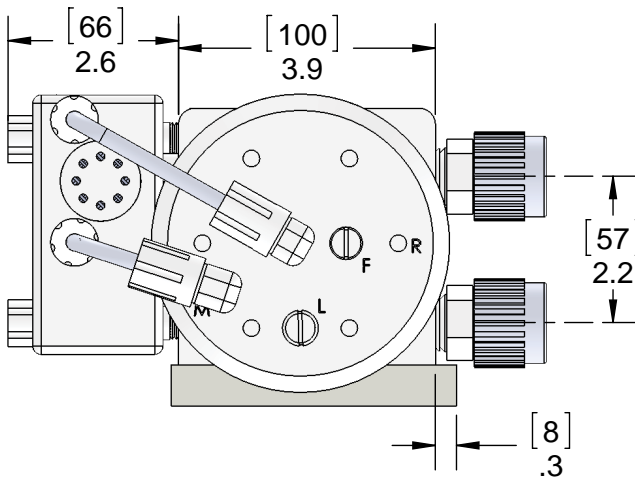
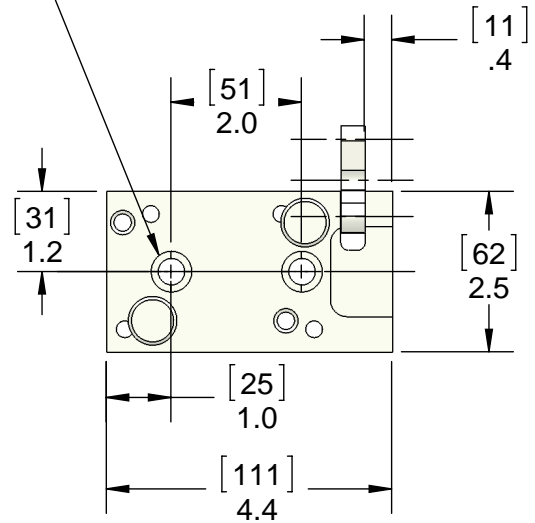


## PSH015 Dimensions

Dimensions: [mm] in



MOUNT WITH 2 EA.  
3/8" (10 mm) SOCKET  
HEAD CAP SCREWS



<https://wkfluidhandling.com/ps-series/>

