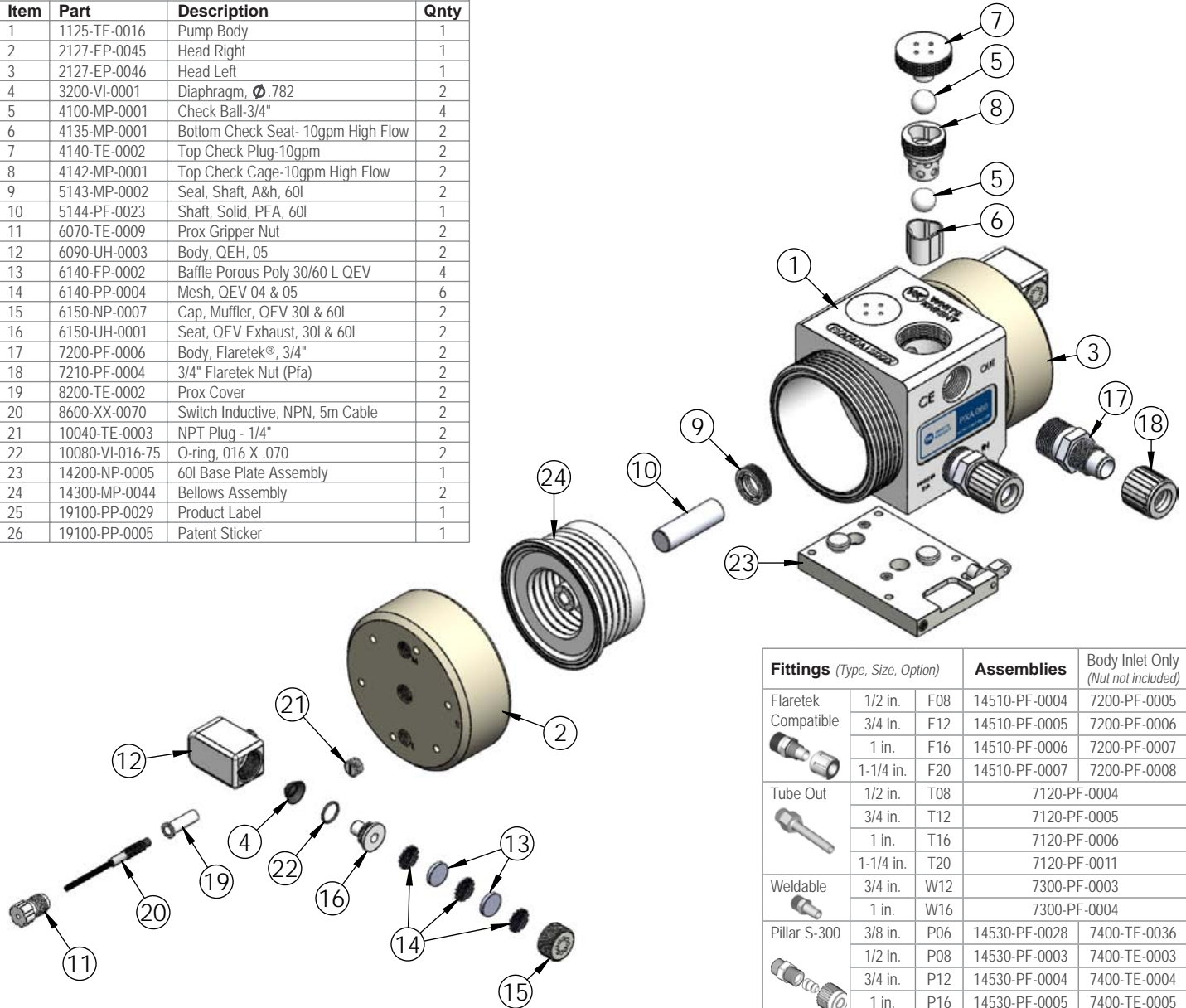


PXA060B Exploded View

PXAX060B BILL OF MATERIALS			
Item	Part	Description	Qty
1	1125-TE-0016	Pump Body	1
2	2127-EP-0045	Head Right	1
3	2127-EP-0046	Head Left	1
4	3200-VI-0001	Diaphragm, Ø.782	2
5	4100-MP-0001	Check Ball-3/4"	4
6	4135-MP-0001	Bottom Check Seat- 10gpm High Flow	2
7	4140-TE-0002	Top Check Plug-10gpm	2
8	4142-MP-0001	Top Check Cage-10gpm High Flow	2
9	5143-MP-0002	Seal, Shaft, A&h, 60l	2
10	5144-PF-0023	Shaft, Solid, PFA, 60l	1
11	6070-TE-0009	Prox Gripper Nut	2
12	6090-UH-0003	Body, QEH, 05	2
13	6140-FP-0002	Baffle Porous Poly 30/60 L QEV	4
14	6140-PP-0004	Mesh, QEV 04 & 05	6
15	6150-NP-0007	Cap, Muffler, QEV 30l & 60l	2
16	6150-UH-0001	Seat, QEV Exhaust, 30l & 60l	2
17	7200-PF-0006	Body, Flaretek®, 3/4"	2
18	7210-PF-0004	3/4" Flaretek Nut (Pfa)	2
19	8200-TE-0002	Prox Cover	2
20	8600-XX-0070	Switch Inductive, NPN, 5m Cable	2
21	10040-TE-0003	NPT Plug - 1/4"	2
22	10080-VI-016-75	O-ring, 016 X .070	2
23	14200-NP-0005	60l Base Plate Assembly	1
24	14300-MP-0044	Bellows Assembly	2
25	19100-PP-0029	Product Label	1
26	19100-PP-0005	Patent Sticker	1



Fittings (Type, Size, Option)		Assemblies	Body Inlet Only (Nut not included)
Flaretek Compatible	1/2 in. F08	14510-PF-0004	7200-PF-0005
	3/4 in. F12	14510-PF-0005	7200-PF-0006
	1 in. F16	14510-PF-0006	7200-PF-0007
	1-1/4 in. F20	14510-PF-0007	7200-PF-0008
Tube Out	1/2 in. T08		7120-PF-0004
	3/4 in. T12		7120-PF-0005
	1 in. T16		7120-PF-0006
	1-1/4 in. T20		7120-PF-0011
Weldable	3/4 in. W12		7300-PF-0003
	1 in. W16		7300-PF-0004
Pillar S-300	3/8 in. P06	14530-PF-0028	7400-TE-0036
	1/2 in. P08	14530-PF-0003	7400-TE-0003
	3/4 in. P12	14530-PF-0004	7400-TE-0004
	1 in. P16	14530-PF-0005	7400-TE-0005
	1-1/4 in. P20	14530-PF-0009	7400-TE-0012
FNPT	1/2 in. N08		7100-TE-0006
	3/4 in. N12		7100-TE-0004
	1 in. N16		7100-TE-0008
Synchro-Flare	1/2 in. S08	14520-TE-0003	7010-TE-0005
	3/4 in. S12	14520-TE-0004	7010-TE-0004
	1 in. S16	14520-TE-0006	7010-TE-0006
PrimeLock	1/2 in. L08	14570-PF-0003	7800-TE-0003
	3/4 in. L12	14570-PF-0004	7800-TE-0004
	1 in. L16	14570-PF-0005	7800-TE-0005
Plugged	B00		7130-TE-0003

<https://wkfluidhandling.com/pxa-series/>