

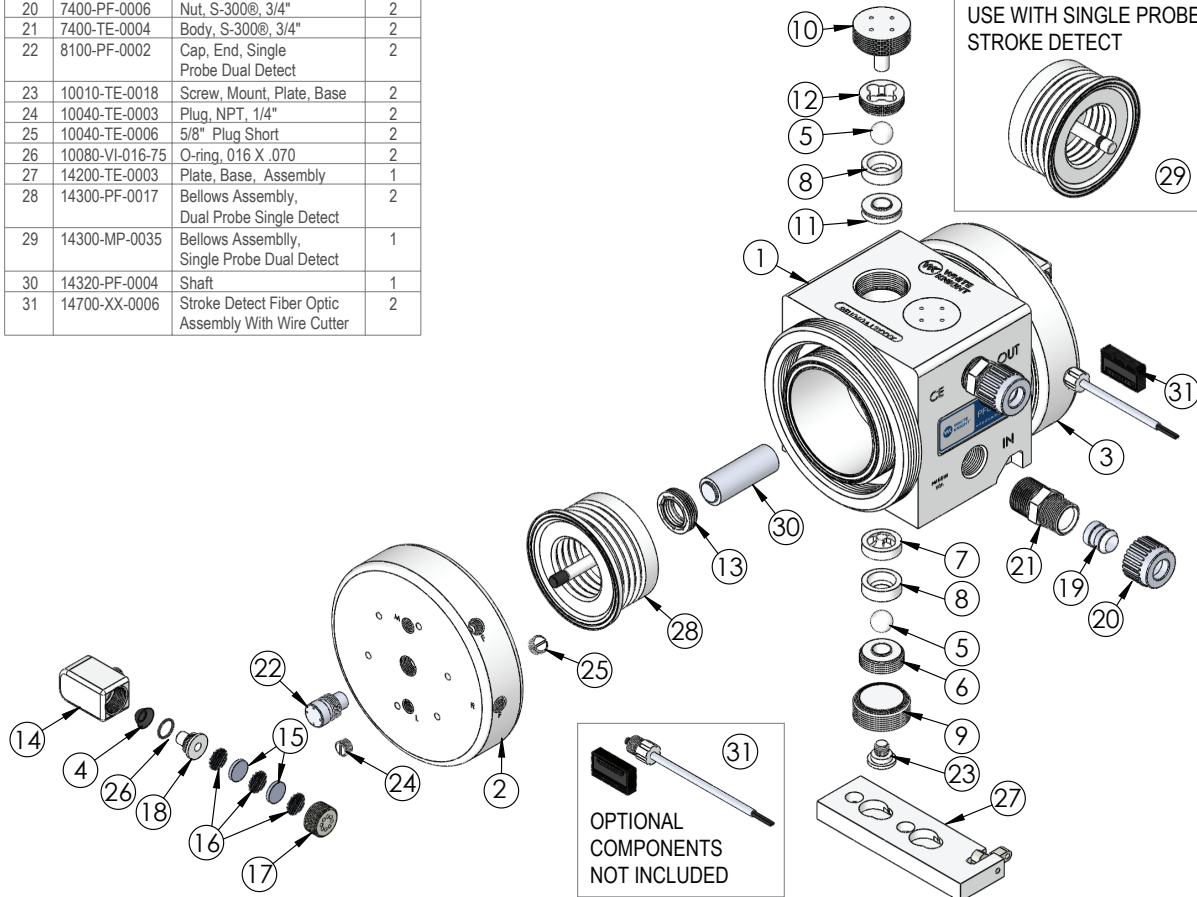


PFU060F Exploded View

PFU060F BILL OF MATERIALS			
Item	Part	Description	Qty
1	1125-TE-0021	Pump Body	1
2	2127-TE-0033	Head, Right	1
3	2127-TE-0034	Head, Left	1
4	3200-VI-0001	Diaphragm, Ø.782	2
5	4100-PF-0001	PFA Check Ball, 3/4"	4
6	4135-MP-0014	Bottom Check Seat, Lower	2
7	4137-TE-0010	Bottom Check Cage	2
8	4137-TE-0011	Middle Check Cage	4
9	4139-TE-0005	Cage, Plug	2
10	4140-TE-0006	Top Check Plug	2
11	4142-MP-0008	Top Check Seat, Upper	2
12	4142-TE-0013	Top Check Cage	2
13	5143-MP-0004	Seal, Shaft	2
14	6090-UH-0003	Body, QEH, 05	2
15	6140-FP-0002	Baffle Porous Poly L QEV	4
16	6140-PP-0004	Mesh, QEV 04 & 05	6
17	6150-NP-0007	Cap, Muffler, QEV	2
18	6150-UH-0001	Seat, QEV Exhaust	2
19	7400-PF-0002	Insert, S-300®	2
20	7400-PF-0006	Nut, S-300®, 3/4"	2
21	7400-TE-0004	Body, S-300®, 3/4"	2
22	8100-PF-0002	Cap, End, Single Probe Dual Detect	2
23	10010-TE-0018	Screw, Mount, Plate, Base	2
24	10040-TE-0003	Plug, NPT, 1/4"	2
25	10040-TE-0006	5/8" Plug Short	2
26	10080-VI-016-75	O-ring, 016 X .070	2
27	14200-TE-0003	Plate, Base, Assembly	1
28	14300-PF-0017	Bellows Assembly, Dual Probe Single Detect	2
29	14300-MP-0035	Bellows Assembly, Single Probe Dual Detect	1
30	14320-PF-0004	Shaft	1
31	14700-XX-0006	Stroke Detect Fiber Optic Assembly With Wire Cutter	2

Fittings (Type, Size, Option)	Assemblies	Body Inlet Only (Nut not included)
Flaretek Compatible	1/2 in. F08	14510-PF-0004
	3/4 in. F12	14510-PF-0005
	1 in. F16	14510-PF-0006
Pillar S-300	1-1/4 in. F20	14510-PF-0007
	3/8 in. P06	14530-PF-0028
	1/2 in. P08	14530-PF-0003
	3/4 in. P12	14530-PF-0004
Synchro-Flare	1/2 in. S08	14520-TE-0003
	3/4 in. S12	14520-TE-0004
	1 in. S16	14520-TE-0006
PrimeLock	1/2 in. L08	14570-PF-0003
	3/4 in. L12	14570-PF-0004
	1 in. L16	14570-PF-0005
	1-1/4 in. L20	14570-PF-0012

Fittings (Type, Size, Option)	Assemblies	
Tube Out	1/2 in. T08	7120-PF-0004
	3/4 in. T12	7120-PF-0005
	1 in. T16	7120-PF-0006
	1-1/4 in. T20	7120-PF-0011
Weldable	3/4 in. W12	7300-PF-0003
	1 in. W16	7300-PF-0004
FNPT	1/2 in. N08	7100-TE-0006
	3/4 in. N12	7100-TE-0004
	1 in. N16	7100-TE-0008
Plugged	B00	7130-TE-0003



Leak Detect		
Part	Description	
14600-XX-0009	LF0	15 ft fiber optic cable with no amplifier
14600-XX-0010	LF1	15 ft fiber optic cable with D10 amplifier
14600-XX-0011	LF2	25 ft fiber optic cable with no amplifier
14600-XX-0012	LF3	25 ft fiber optic cable with D10 amplifier
14600-XX-0031	LC0	15 ft conductivity cable
14600-XX-0040	LC1	25 ft conductivity cable

Stroke Detect		
Part	Description	
14700-XX-0021	SFS0	15 ft fiber optic cable with no amplifier SFS0
14700-XX-0022	SFS1	15 ft fiber optic cable with D10 amplifier SFS1
14700-XX-0023	SFS2	25 ft fiber optic cable with no amplifier SFS2
14700-XX-0024	SFS3	25 ft fiber optic cable with D10 amplifier SFS3
14700-XX-0025	SFD0	15 ft fiber optic cable with no amplifier SFD0
14700-XX-0026	SFD1	15 ft fiber optic cable with D10 amplifier SFD1
14700-XX-0027	SFD2	25 ft fiber optic cable with no amplifier SFD2
14700-XX-0028	SFD3	25 ft fiber optic cable with D10 amplifier SFD3

<https://wkfluidhandling.com/pfu-series/>

