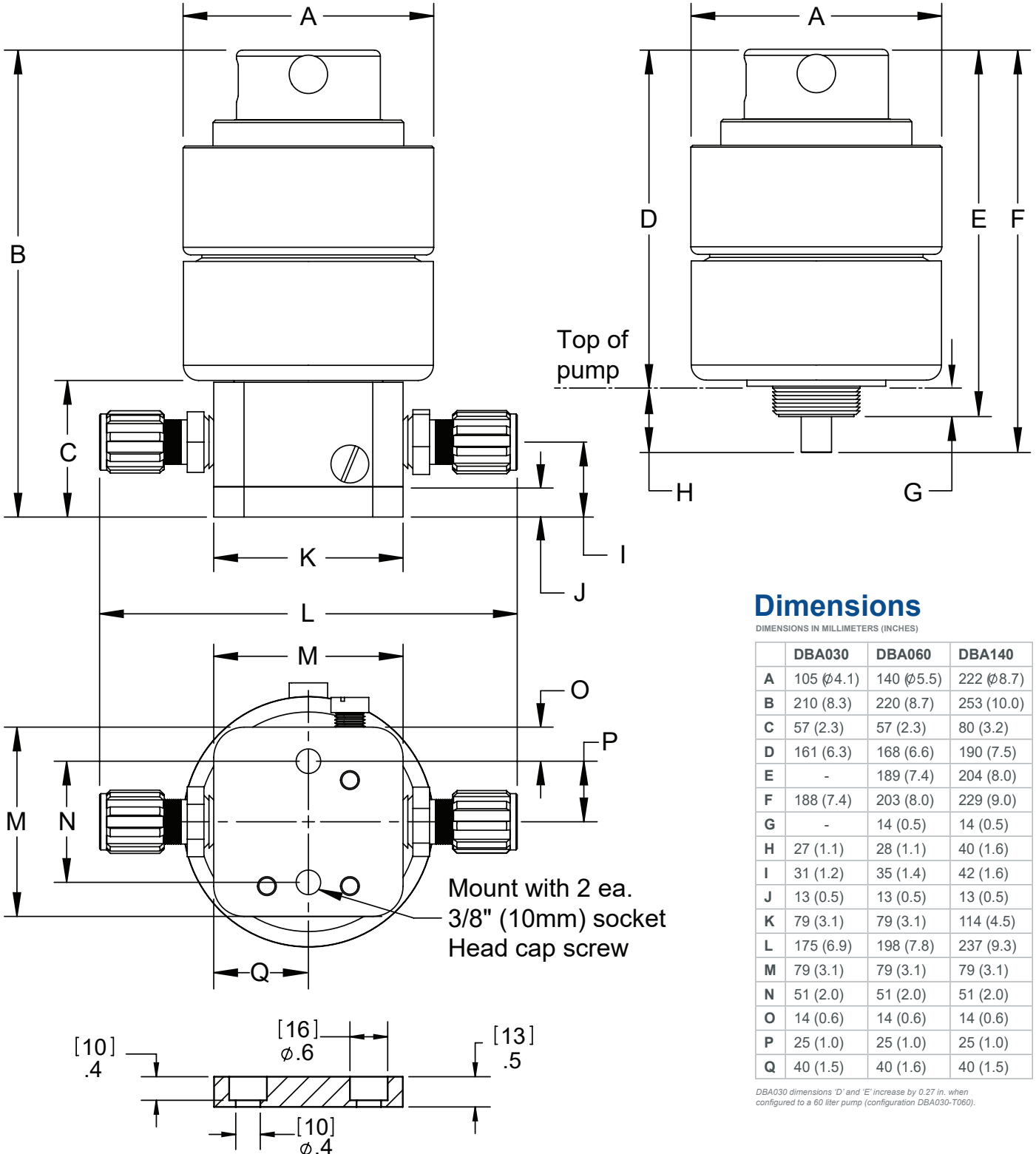




Dimensions

[MM] INCHES



Dimensions

DIMENSIONS IN MILLIMETERS (INCHES)

	DBA030	DBA060	DBA140
A	105 (4.1)	140 (5.5)	222 (8.7)
B	210 (8.3)	220 (8.7)	253 (10.0)
C	57 (2.3)	57 (2.3)	80 (3.2)
D	161 (6.3)	168 (6.6)	190 (7.5)
E	-	189 (7.4)	204 (8.0)
F	188 (7.4)	203 (8.0)	229 (9.0)
G	-	14 (0.5)	14 (0.5)
H	27 (1.1)	28 (1.1)	40 (1.6)
I	31 (1.2)	35 (1.4)	42 (1.6)
J	13 (0.5)	13 (0.5)	13 (0.5)
K	79 (3.1)	79 (3.1)	114 (4.5)
L	175 (6.9)	198 (7.8)	237 (9.3)
M	79 (3.1)	79 (3.1)	79 (3.1)
N	51 (2.0)	51 (2.0)	51 (2.0)
O	14 (0.6)	14 (0.6)	14 (0.6)
P	25 (1.0)	25 (1.0)	25 (1.0)
Q	40 (1.5)	40 (1.6)	40 (1.5)

DBA030 dimensions 'D' and 'E' increase by 0.27 in. when configured to a 60 liter pump (configuration DBA030-T060).

<https://wkfluidhandling.com/dba>

